

TECHNICAL DATASHEET

HEALTHCARE TAPWARE

Single hole hospital bath shower mixer - 75033

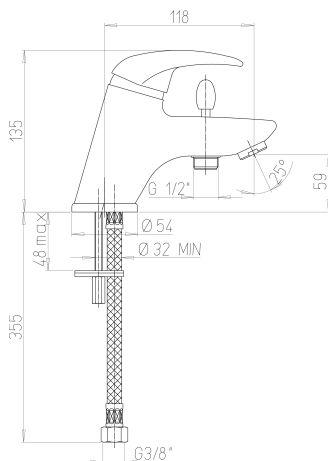


Benefits of the product

- Solid easy maintenance handle
- Star shaped flow straightener: limits the water spray, no water retention.
- SPEX hoses for thermal and / or chlorine shock
- Automatic diverter with low pressure lock.
- Multifunction Cartridge: Dual flow and flow settings from 2l to 23.4l/min and temperature stop with 7 settings.

Description

Single hole bath-shower mixer without drain, deck-mount with solid handle. Fixed straight spout L 120mm. Height to nozzle 47mm. Multifunction ceramic cartridge Ø 40: 7-setting temperature limit stop, dual flow and flow settings from 2l to 23.4l/min. Equipped with an automatic changeover with low pressure lock. Tapware fitted as standard star-shaped flow straightener. Body, spout and controls in polished chrome plated brass. Shower outlet M G'1 / 2 with integrated back-flow valve. SPEX stainless steel braided hoses, M12x1, LN G'3 / 8 L 350mm Reinforced fixation by two stainless steel rods. 10 year warranty. Sanifirst brand single hole bath-shower mixer REF: 75033 or approved equivalent.





TECHNICAL DATASHEET

Additional Information

Product reference	75033
Previous reference	FL2241MA
Brand	Sanifirst
Warranty	10 years against manufacturing defects
Special feature 1	Bath-shower one-hole
Height to nozzle (mm)	59
Projection (mm)	118
Clip-on spout	No
Flow straightener	Star shaped flow straightener, M24 x 1
Lever	Solid easy maintenance handle
Connection	SPEX hoses 350 mm - M12 X 1 - LN G'3 / 8
Minimum pressure	1 bar
Recommended pressure	3 bar
Maximum pressure	5 bar
Cartridge	75312 Ø 40mm, dual flow, flow limiter and temperature limiter
Coating	Nickel > 10 microns - Chrome > 0.3 microns