



HEALTHCARE TAPWARE

Hospital sink mixer, swivel spout, with extractable shower head - 75070

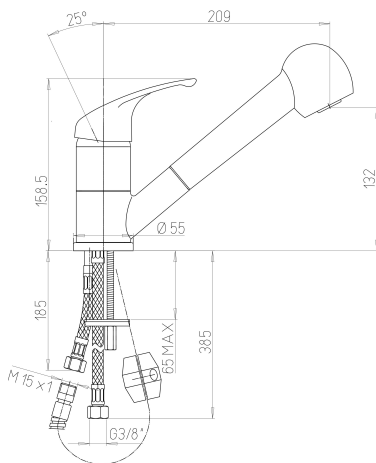


Benefits of the product

- Solid handle: easy cleaning.
- Retractable shower for easy cleaning, 2-spray with anti-scaling spikes
- Comfortable height to spout and projection
- Multifunctional cartridge: temperature limit stop with 7 adjustment positions, double flow (hard point at 50% opening).
- Flow between 4 and 6L / min at 3 bar - in accordance with the French norm standard "Medical"; possible flow modification, in case of disassembly of the limiters, by adjusting screw between 4 and 20L / min.
- Water savings, safe operation and controlled water consumption.

Description

Single hole sink mixer deck-mount with solid handle. Swivel spout and two-spray shower head with removable limescale spikes and sliding hose. Height to nozzle 126mm, L 210mm. Multifunction ceramic cartridge \varnothing 40: 7-setting temperature limit stop, dual flow (hard point at 50% opening). Flow between 4 and 6L / min at 3 bar - in accordance with the NF standard "medical environment"; possible flow modification, in case of disassembly of the limiters, by adjusting screw between 4 and 20L / min. Tapware fitted as standard star-shaped flow straightener. Body, spout, shower head and controls in polished chrome plated brass. SPEX Hoses, M10x1 LN G'3 / 8 L 350mm. Basket filter seals mounted on the hoses limiting fouling. Reinforced fixation by a stainless steel rod. 10 year warranty. Sanifirst brand single hole sink mixer, swivel spout and retractable shower head REF: 75070 or approved equivalent.





TECHNICAL DATASHEET

Additional Information

Product reference	75070
Previous reference	FL2424MA
Brand	Sanifirst
Warranty	10 years against manufacturing defects
Special feature 1	Swivel spout with shower head
Height to nozzle (mm)	132
Projection (mm)	209
Clip-on spout	No
Flow straightener	Star shaped flow straightener, M24 x 1
Lever	Solid easy maintenance handle
Connection	SPEX hoses 350 mm - M10 X 1 - LN G'3 / 8 with basket filter seals and flow rate limiters
Minimum pressure	1 bar
Recommended pressure	3 bar
Maximum pressure	5 bar
Cartridge	75316 Ø 40mm, dual flow, flow limiter and temperature limiter
Coating	Nickel > 10 microns - Chrome > 0.3 microns