



HEALTHCARE TAPWARE

Hospital sink mixer, wall-mount, with downward spout, swivel - 75079

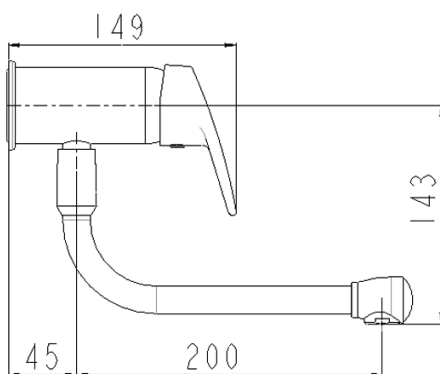


Benefits of the product

- Solid handle: easy cleaning.
- Comfortable projection for cleaning.
- Multifunction ceramic cartridge: 7-setting temperature limit stop, dual flow (6/12L) and flow settings from 2l to 13.8l/min.
- Water savings, safe operation and controlled water consumption.
- Star shaped flow straightener: Limits the water spray, no water retention.

Description

Single hole sink mixer, wall-mount with solid upward handle. Smooth tube downward spout, swivel L 200mm. Multifunction ceramic cartridge \varnothing 40: 7-setting temperature limit stop, dual flow and flow settings from 2l to 13.8l/min. Tapware fitted as standard star-shaped flow straightener. Smooth body, spout and controls in polished chrome plated brass. SPEX Hoses, M10x1 LN G'3 / 8 L 350mm Reinforced fixation by a stainless steel rod. 10 year warranty. Sanifirst brand single hole sink mixer, wall mount, downward, smooth tube spout and upward pointable handle REF: 75079 or approved equivalent.





TECHNICAL DATASHEET

Additional Information

Product reference	75079
Previous reference	FL2436MA
Brand	Sanifirst
Warranty	10 years against manufacturing defects
Special feature 1	Swivel spout
Special feature 2	Underneath spout
Length of spout (mm)	200
Projection (mm)	247
Clip-on spout	No
Flow straightener	Star shaped flow straightener, M24 x 1
Lever	Solid easy maintenance handle
Connection	SPEX hoses 350 mm - M10 X 1 - LN G'3 / 8
Minimum pressure	1 bar
Recommended pressure	3 bar
Maximum pressure	5 bar
Max tightening	45
Cartridge	75312 Ø 40mm, dual flow, flow limiter and temperature limiter
Coating	Nickel > 10 microns - Chrome > 0.3 microns