



### HEALTHCARE TAPWARE

#### Hospital mixer, fixed or adjustable spout, removable - Modul'Mix - 75141

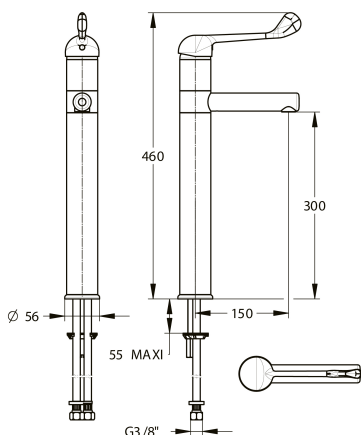


#### Benefits of the product

- Certified French norm NF Medical
- Modul'Mix range: modularity of parts and adaptability to needs
- Retrofittable and customizable
- Elbow control lever: avoiding manual contact
- Comfortable height to spout and projection for washbasin
- Multifunctional cartridge: temperature limit stop with 7 adjustment positions, double flow (hard point at 50% opening).
- Flow between 4 and 6L / min at 3 bar - in accordance with the French norm standard "Medical"; possible flow modification, in case of disassembly of the limiters, by adjusting screw between 4 and 20L / min.
- Fixed or adjustable spout (optional), removable with smooth interior: facilitates cleaning and disinfection, limits the deposit of the biofilm.
- Star-shaped flow straighteners: limits the water spray, no water retention.
- Simple and fast maintenance

#### Description

Single hole hospital mixer (Modul'mix design), no drain, for hand wash basin, with 220mm long medical handle avoiding manual contact, using elbow, forearm or wrist. Certified French norm NF Medical. Fixed or swivel spout, smooth and removable for disinfecting L 150mm. Height to nozzle 300mm. Height and length of spout adapted without changing the entire tapware. Multifunction ceramic cartridge Ø 40: 7-setting temperature limit stop, dual flow (hard point at 50% opening). Flow between 4 and 6L / min at 3 bar - in accordance with the NF standard "medical environment"; possible flow modification, in case of disassembly of the limiters, by adjusting screw between 4 and 20L / min. Tapware with star-shaped flow straightener, eliminating water retention and impurities; withstands thermal and chlorine shocks Smooth body, spout and controls in polished chrome plated brass. SPEX stainless steel braided hoses, M10x1 LN G'3 / 8 L 650mm Reinforced fixation by a stainless steel rod. 10 year warranty. Certified NF Medical classification. Sanifirst brand hospital mixer, fixed or swivel smooth spout, removable, for hand wash basin REF: 75141 or approved equivalent.





## TECHNICAL DATASHEET

### Additional Information

<b>Product reference</b>	75141
<b>Previous reference</b>	FL6030MC
<b>Brand</b>	Sanifirst
<b>Warranty</b>	10 years against manufacturing defects
<b>Special feature 1</b>	Fixed spout
<b>Special feature 2</b>	Removable spout
<b>Special feature 3</b>	Swivel spout
<b>Height to nozzle (mm)</b>	300
<b>Projection (mm)</b>	150
<b>Length of lever (mm)</b>	170
<b>Clip-on spout</b>	No
<b>Flow straightener</b>	Star shaped flow straightener, M24 x 1
<b>Lever</b>	Elbow / forearm / wrist handle
<b>Connection</b>	SPEX hoses 650 mm - M10 X 1 - LN G'3 / 8 with basket filter seals and flow rate limiters
<b>Minimum pressure</b>	1 bar
<b>Recommended pressure</b>	3 bar with a pressure differential less than 1 bar
<b>Maximum pressure</b>	5 bar
<b>Classification</b>	Medical
<b>Max tightening</b>	40
<b>Cartridge</b>	75312 Ø 40mm, dual flow, flow limiter and temperature limiter
<b>Coating</b>	Nickel > 10 microns - Chrome > 0.3 microns