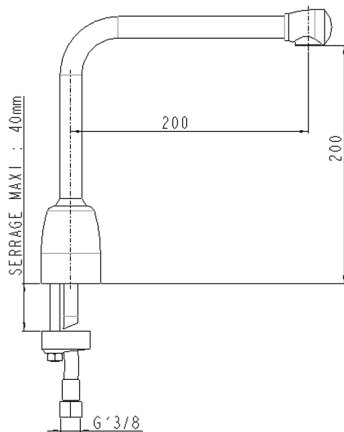




### HEALTHCARE TAPWARE

#### Hospital spout, swivel, removable - 75189



#### Benefits of the product

- Smooth interior removable spout: easy cleaning and disinfection, limits the formation of biofilm.
- Suitable for installation of a terminal filter.
- Star shaped flow straightener: Limits the water spray, no water retention.
- Chlorine and thermal shock resistant.

#### Description

Monofluid hospital spout, no drain, to put on ceramic or concrete bench. Smooth tube spout, swivel, removable L 200mm. Height to nozzle 200mm suitable for end filtration. Tapware with star-shaped flow straightener reducing scaling, eliminating water retention and impurities; withstands thermal and chlorine shocks. Smooth body and polished chrome-plated brass spout. SPEX stainless steel braided hoses, M10x1 LN G'3 / 8 L 350mm Reinforced fixation by a stainless steel rod. 10 year warranty. Chlorine and thermal shock resistant. Sanifirst brand monofluid hospital spout, swivel and removable smooth tube REF: 75189 or approved equivalent.



## TECHNICAL DATASHEET

### Additional Information

<b>Product reference</b>	75189
<b>Previous reference</b>	FL9101MA
<b>Brand</b>	Sanifirst
<b>Warranty</b>	10 years against manufacturing defects
<b>Special feature 1</b>	Swivel spout
<b>Special feature 2</b>	Removable spout
<b>Special feature 3</b>	Tabletop
<b>Height to nozzle (mm)</b>	200
<b>Projection (mm)</b>	200
<b>Clip-on spout</b>	No
<b>Flow straightener</b>	Star shaped flow straightener, M24 x 1
<b>Connection</b>	SPEX hoses 350 mm - LN G'3 / 8
<b>Flow rate</b>	
<b>Minimum pressure</b>	1 bar
<b>Recommended pressure</b>	3 bar
<b>Maximum pressure</b>	5 bar
<b>Max tightening</b>	40
<b>Coating</b>	Nickel > 10 microns - Chrome > 0.3 microns