

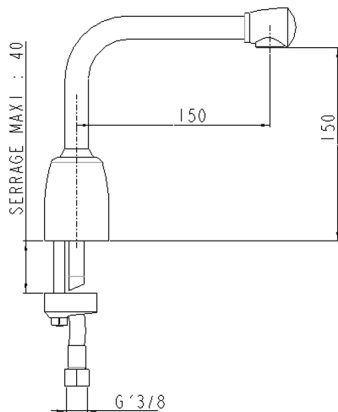


HEALTHCARE TAPWARE

Hospital spout, swivel, removable - 75193



Photo représentant le FL9100MA



Benefits of the product

- Smooth interior removable spout: easy cleaning and disinfection, limits the formation of biofilm.
- Star shaped flow straightener: Limits the water spray, no water retention.
- Chlorine and thermal shock resistant.

Description

Monofluid hospital spout, no drain, to put on ceramic or concrete bench. Smooth tube spout, swivel, removable L 150mm. Height to nozzle 150mm. Tapware with star-shaped flow straightener reducing scaling, eliminating water retention and impurities; withstands thermal and chlorine shocks Smooth body and polished chrome-plated brass spout. SPEX stainless steel braided hoses, M10x1 LN G'3 / 8 L 350mm Reinforced fixation by a stainless steel rod. 10 year warranty. Chlorine and thermal shock resistant. Sanifirst brand monofluid hospital spout, swivel and removable smooth tube REF: 75193 or approved equivalent.



TECHNICAL DATASHEET

Additional Information

Product reference	75193
Previous reference	FL9103MA
Brand	Sanifirst
Warranty	10 years against manufacturing defects
Special feature 1	Swivel spout
Special feature 2	Removable spout
Special feature 3	Tabletop
Height to nozzle (mm)	150
Projection (mm)	150
Clip-on spout	No
Flow straightener	Star shaped flow straightener, M24 x 1
Connection	SPEX hoses 350 mm - LN G'3 / 8
Flow rate	
Minimum pressure	1 bar
Recommended pressure	3 bar
Maximum pressure	5 bar
Max tightening	40
Coating	Nickel > 10 microns - Chrome > 0.3 microns