



HEALTHCARE TAPWARE

Electronic spout, battery powered, swivel, removable - 75206

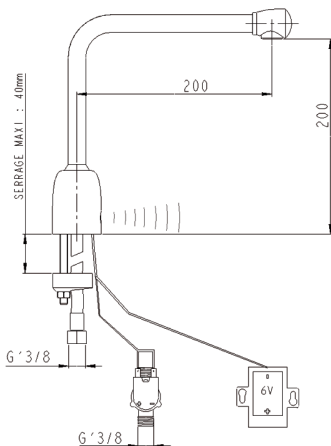


Benefits of the product

- Smooth interior removable spout: easy cleaning and disinfection, limits the formation of biofilm.
- Suitable for installation of a terminal filter.
- Star shaped flow straightener: Limits the water spray, no water retention.
- Chlorine and thermal shock resistant.
- Customisable anti-bacteria program (purges, frequency, duration, etc.). Limits bacterial growth (legionella, pseudomonas ...)

Description

Monofluid electronic spout, no drain, for ceramic or concrete bench. Smooth tube spout, swivel, removable L 200mm. Height to nozzle 200mm suitable for end filtration. Infrared cell integrated in the body. Power Supply IP65 with 6V lithium battery. Tapware with star-shaped flow straightener reducing scaling, eliminating water retention and impurities; withstands thermal and chlorine shocks Smooth body and polished chrome-plated brass spout. SPEX stainless steel hoses, M10X1, LN G'3 / 8 L 350mm, filters, solenoid valves and silicon membrane M G'3 / 8. Reinforced fixation by a stainless steel rod. 2-year warranty. Chlorine and thermal shock resistant. Customisable anti-bacteria program (purges, frequency, duration, etc.). Sanifirst brand monofluid battery powered electronic spout, swivel and removable, smooth tube REF: 75206 or approved equivalent.





TECHNICAL DATASHEET

Additional Information

Product reference	75206
Previous reference	FL9121MA
Brand	Sanifirst
Warranty	2 years against manufacturing defects
Power supply	Battery powered
Special feature 2	Swivel spout
Special feature 4	Tabletop
Height to nozzle (mm)	200
Projection (mm)	200
Clip-on spout	No
Flow straightener	Star shaped flow straightener, M24 x 1
Lever	Electronic
Connection	SPEX hoses 350 mm - M10 X 1 - LN G'3 / 8
Solenoid valve(s) with silicone membrane	1
Minimum pressure	1 bar
Recommended pressure	3 bar
Maximum pressure	5 bar
Max tightening	40
Coating	Nickel > 10 microns - Chrome > 0.3 microns