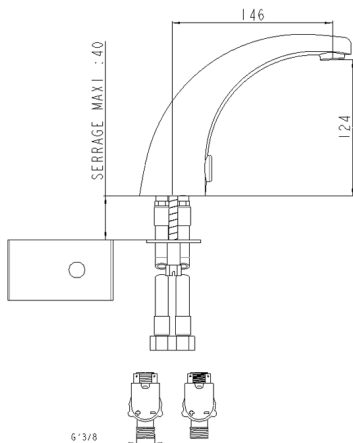




HEALTHCARE TAPWARE

Electronic spout, battery powered, fixed - 75211



Benefits of the product

- Hygiene: no manual contact.
- Height to spout and projection comfortable for easy washing
- Customisable anti-bacteria program (purges, frequency, duration, etc.). Limits bacterial growth (legionella, pseudomonas ...)
- Star shaped flow straightener: Limits the water spray, no water retention.- Hygiene: no manual contact.

Description

Monofluid electronic spout, no drain, for ceramic or concrete bench. Fixed cast spout L 146mm. Height to nozzle 124mm. Infrared cell integrated in the body. Power Supply IP65 with 6V lithium battery. Tapware with star-shaped flow straightener reducing scaling, eliminating water retention and impurities; withstands thermal and chlorine shocks SPEX stainless steel hoses, M10X1, LN G'3 / 8 L 350mm, filters, solenoid valves and silicon membrane M G'3 / 8. Reinforced fixation by a stainless steel rod. 2 year warranty. Chlorine and thermal shock resistant. Customisable anti-bacteria program (purges, frequency, duration, etc.). Sanifirst brand monofluid battery powered electronic spout, fixed and removable, smooth tube REF: 75211 or approved equivalent.



TECHNICAL DATASHEET

Additional Information

Product reference	75211
Previous reference	FL9220MA
Brand	Sanifirst
Warranty	2 years against manufacturing defects
Power supply	Battery powered
Special feature 2	Fixed spout
Special feature 4	Tabletop
Height to nozzle (mm)	124
Projection (mm)	146
Clip-on spout	No
Flow straightener	Star shaped flow straightener, M24 x 1
Lever	Electronic
Connection	SPEX hoses 350 mm - M10 X 1 - LN G'3 / 8
Solenoid valve(s) with silicone membrane	1
Minimum pressure	1 bar
Recommended pressure	3 bar
Maximum pressure	5 bar
Max tightening	40
Coating	Nickel > 10 microns - Chrome > 0.3 microns