



HEALTHCARE TAPWARE

Electronic spout, mains powered, wall mount, fixed, removable - 75218

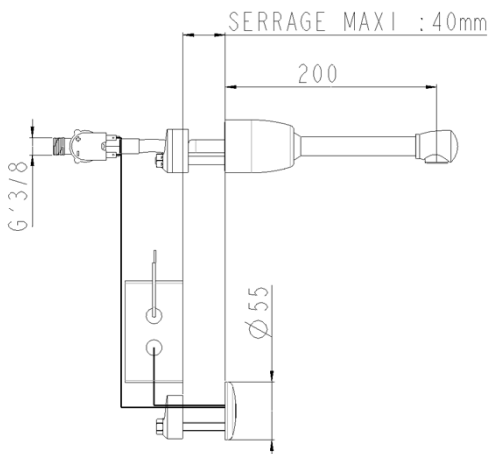


Benefits of the product

- Smooth tube swivel removable spout: easy cleaning and disinfection, limits the formation of biofilm.
- Remote infrared detector: greater freedom of installation.
- Star shaped flow straightener: Limits the water spray, no water retention.
- Chlorine and thermal shock resistant.
- Customisable anti-bacteria program (purges, frequency, duration, etc.). Limits bacterial growth (legionella, pseudomonas ...)

Description

Monofluid electronic wall-mount spout. Smooth tube spout, fixed, removable, L 200mm, suitable for end filtration. Infrared cell integrated in the body. Electronic housing independent, mains, IP65, 230V input, 6V output. Tapware with star-shaped flow straightener reducing scaling, eliminating water retention and impurities; withstands thermal and chlorine shocks Smooth body and polished chrome-plated brass spout. SPEX stainless steel hoses, M10X1, LN G'3 / 8 L 350mm, filters, solenoid valves and silicon membrane M G'3 / 8. Reinforced fixation by a stainless steel rod. 2-year warranty. Chlorine and thermal shock resistant. Customisable anti-bacteria program (purges, frequency, duration, etc.). Sanifirst brand monofluid mains powered electronic spout, wall-mount, fixed and removable, smooth tube REF: 75218 or approved equivalent.





TECHNICAL DATASHEET

Additional Information

Product reference	75218
Previous reference	FL9310MA
Brand	Sanifirst
Warranty	2 years against manufacturing defects
Power supply	Mains
Special feature 2	Fixed spout
Special feature 4	Wall-mounted
Projection (mm)	200
Clip-on spout	No
Flow straightener	Star shaped flow straightener, M24 x 1
Lever	Electronic
Connection	SPEX hoses 350 mm - M10 X 1 - LN G'3 / 8
Solenoid valve(s) with silicone membrane	1
Minimum pressure	1 bar
Recommended pressure	3 bar
Maximum pressure	5 bar
Max tightening	40
Coating	Nickel > 10 microns - Chrome > 0.3 microns