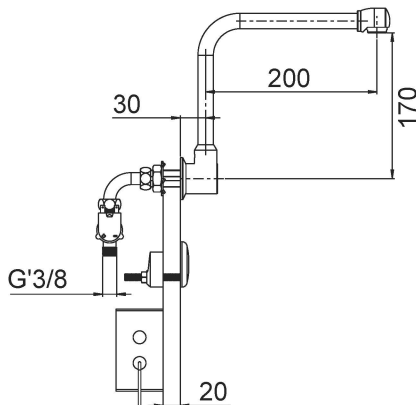




HEALTHCARE TAPWARE

Electronic spout, wall-mount, mains powered, fixed, upward - 75223



Benefits of the product

- Smooth tube upward spout: limits the deposition of biofilm.
- Remote infrared detector: greater freedom of installation.
- Star shaped flow straightener: Limits the water spray, no water retention.
- Customisable anti-bacteria program (purges, frequency, duration, etc.). Limits bacterial growth (legionella, pseudomonas ...)
- Chlorine and thermal shock resistant.

Description

Electronic monofluid wall-mount gooseneck spout. Smooth tube spout, fixed, removable, L 200 mm. Height to nozzle 170mm suitable for end filtration. Electronic housing independent, mains, IP65, 230V input, 6V output. Tapware with star-shaped flow straightener reducing scaling, eliminating water retention and impurities; withstands thermal and chlorine shocks Smooth body and polished chrome-plated brass spout. M1/2 connection on spout and M3 / 8 on solenoid valve, filters, solenoid valves with silicone membrane M G'3 / 8. 2 year warranty. Chlorine and thermal shock resistant. Customisable anti-bacteria program (purges, frequency, duration, etc.). Sanifirst brand electronic upward gooseneck spout, fixed and removable smooth tube REF: 75223 or approved equivalent.



TECHNICAL DATASHEET

Additional Information

Product reference	75223
Previous reference	FL9410MA
Brand	Sanifirst
Warranty	2 years against manufacturing defects
Power supply	Mains
Special feature 2	Fixed spout
Special feature 4	Wall-mounted
Height to nozzle (mm)	170
Lenght of spout (mm)	200
Projection (mm)	230
Clip-on spout	No
Flow straightener	Star shaped flow straightener, M24 x 1
Lever	Electronic
Connection	M G'1/2
Solenoid valve(s) with silicone membrane	1
Minimum pressure	1 bar
Recommended pressure	3 bar
Maximum pressure	5 bar
Lenght of threaded rod (mm)	56
Max tightening	20
Coating	Nickel > 10 microns - Chrome > 0.3 microns