



HEALTHCARE TAPWARE

Electronic spout, wall-mount, battery powered, fixed, upward - 75225

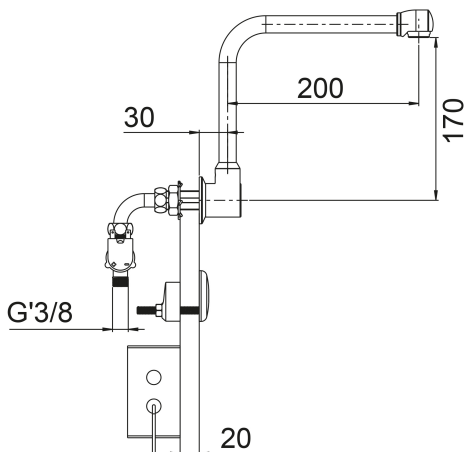


Benefits of the product

- Smooth tube spout: limits the deposition of biofilm.
- Remote infrared detector: greater freedom of installation.
- Comfortable height to spout and projection for easy washing
- Customisable anti-bacteria program (purges, frequency, duration, etc.). Limits bacterial growth (legionella, pseudomonas ...)
- Chlorine and thermal shock resistant.
- Star shaped flow straightener: Limits the water spray, no water retention.

Description

Electronic monofluid wall-mount gooseneck spout. Smooth tube spout, fixed, removable, L 200 mm. Height to nozzle 170mm suitable for end filtration. Power Supply IP65 with 6V lithium battery. Tapware with star-shaped flow straightener reducing scaling, eliminating water retention and impurities; withstands thermal and chlorine shocks Smooth body and polished chrome-plated brass spout. M1/2 connection on spout and M3 / 8 on solenoid valve, filters, solenoid valves with silicone membrane M G'3 / 8. 2 year warranty. Chlorine and thermal shock resistant. Customisable anti-bacteria program (purges, frequency, duration, etc.). Sanifirst brand electronic upward gooseneck spout, fixed and removable smooth tube REF: 75225 or approved equivalent.





TECHNICAL DATASHEET

Additional Information

| | |
|---|--|
| Product reference | 75225 |
| Previous reference | FL9420MA |
| Brand | Sanifirst |
| Warranty | 2 years against manufacturing defects |
| Power supply | Battery powered |
| Special feature 2 | Fixed spout |
| Special feature 4 | Wall-mounted |
| Height to nozzle (mm) | 170 |
| Lenght of spout (mm) | 200 |
| Projection (mm) | 230 |
| Clip-on spout | No |
| Flow straightener | Star shaped flow straightener, M24 x 1 |
| Lever | Electronic |
| Connection | M G'1/2 |
| Solenoid valve(s) with silicone membrane | 1 |
| Minimum pressure | 1 bar |
| Recommended pressure | 3 bar |
| Maximum pressure | 5 bar |
| Lenght of threaded rod (mm) | 56 |
| Max tightening | 20 |
| Coating | Nickel > 10 microns - Chrome > 0.3 microns |