



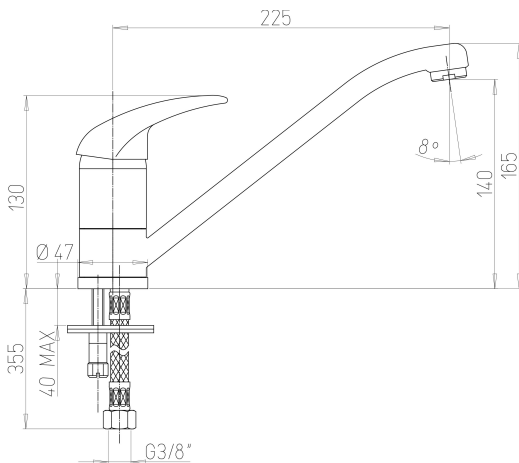
### HEALTHCARE TAPWARE

#### Sink mixer with swivel spout - 75391



#### Description

Single hole sink mixer without drain for handwash basin, deck-mount with solid handle. Extruded spout, swivel, removable L 235mm. Height to nozzle 135mm. Multifunction ceramic cartridge  $\varnothing$  40: 7-setting temperature limit stop, dual flow and flow settings from 2l to 12l/min. Tapware fitted as standard with aerator M 24x1. Smooth body, spout and controls in polished chrome plated brass. EPDM Hoses, M12x1, LN G'3 / 8 L 350mm Reinforced fixation by a stainless steel rod. 10 year warranty. Sanifirst brand Single hole sink mixer, swivel, extruded spout REF: 75391 or approved equivalent.





## TECHNICAL DATASHEET

### Additional Information

<b>Product reference</b>	75391
<b>Previous reference</b>	SF2221AA
<b>Brand</b>	Sanifirst
<b>Warranty</b>	10 years against manufacturing defects
<b>Special feature 1</b>	Swivel spout
<b>Height to nozzle (mm)</b>	140
<b>Projection (mm)</b>	225
<b>Clip-on spout</b>	No
<b>Flow straightener</b>	Star shaped flow straightener M24 X 1
<b>Lever</b>	Solid easy maintenance handle
<b>Connection</b>	SPEX hoses 350 mm - M12 X 1 - LN G'3 / 8
<b>Minimum pressure</b>	1 bar
<b>Recommended pressure</b>	3 bar
<b>Maximum pressure</b>	5 bar
<b>Cartridge</b>	75316 Ø 40mm, dual flow, flow limiter and temperature limiter
<b>Coating</b>	Nickel > 10 microns - Chrome > 0.3 microns