



HEALTHCARE TAPWARE

Hospital washbasin mixer with fixed spout and drain - 75608

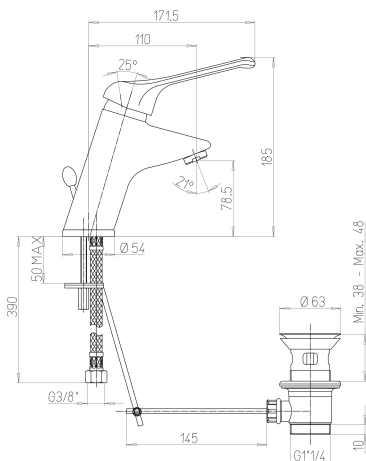


Benefits of the product

- Ergonomic: easy grip
- Multifunction ceramic cartridge: 7-setting temperature limit stop, dual flow (hard point at 50% opening). Flow between 4 and 6L / min at 3 bar - in accordance with the NF standard "medical environment"; possible flow modification, in case of disassembly of the limiters, by adjusting screw between 4 and 20L / min.
- Water savings, safe operation and controlled water consumption.
- Star shaped flow straightener: limits the water spray, no water retention.

Description

Single hole washbasin mixer with brass drain, for handwash basin, deck-mount with openwork handle. Fixed tall cast spout L 110mm. Height to nozzle 78.5mm. Multifunction ceramic cartridge \varnothing 40: 7-setting temperature limit stop, dual flow (hard point at 50% opening). Flow between 4 and 6L / min at 3 bar - in accordance with the NF standard "medical environment"; possible flow modification, in case of disassembly of the limiters, by adjusting screw between 4 and 20L / min. Tapware fitted as standard star-shaped flow straightener. Body, spout and controls in polished chrome plated brass. SPEX stainless steel braided hoses, M10x1 LN G'3 / 8 L 450mm Basket filter seals mounted on the hoses limiting fouling. Reinforced fixation by a stainless steel rod. 10 year warranty. Sanifirst brand single hole washbasin mixer, tall fixed cast spout REF: 75608 or approved equivalent.





TECHNICAL DATASHEET

Additional Information

| | |
|------------------------------|---|
| Product reference | 75608 |
| Previous reference | NC |
| Brand | Sanifirst |
| Warranty | 10 years against manufacturing defects |
| Special feature 1 | Fixed spout |
| Height to nozzle (mm) | 78 |
| Projection (mm) | 110 |
| Clip-on spout | No |
| Drainage | Brass drainage |
| Flow straightener | Star shaped flow straightener, M24 x 1 |
| Lever | Openwork facilitates grip |
| Connection | SPEX hoses 350 mm - M10 X 1 - LN G'3 / 8 |
| Flow rate | Between 4 et 6 L/min at 3 bar |
| Minimum pressure | 1 bar |
| Recommended pressure | 3 bar |
| Maximum pressure | 5 bar |
| Cartridge | 75312 Ø 40mm, dual flow, flow limiter and temperature limiter |
| Coating | Nickel > 10 microns - Chrome > 0.3 microns |