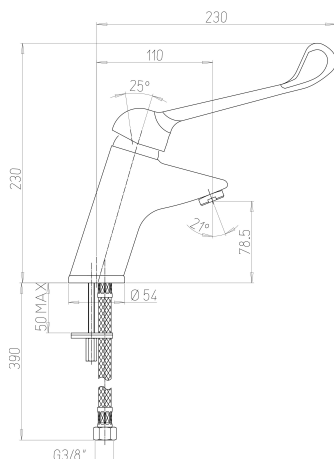




HEALTHCARE TAPWARE

Hospital washbasin mixer with fixed spout no drain - 75611



Benefits of the product

- Ergonomic: easy to use elbow handle (for patients and technical staff)
- Hand hygiene: avoiding manual contact
- Multifunction ceramic cartridge: temperature limit stop with 7 adjustment positions, double flow (hard point at 50% opening).
- Flow between 4 and 6L / min at 3 bar - in accordance with the French norm standard "Medical"; possible flow modification, in case of disassembly of the limiters, by adjusting screw between 4 and 20L / min.
- Water savings, safe operation and controlled water consumption.
- Star shaped flow straightener: limits the water spray, no water retention.

Description

Single hole washbasin mixer without drain for hand wash basin, deck-mount with 157mm long medical handle avoiding manual contact, using elbow, forearm or wrist. Fixed tall cast spout L 110mm. Height to nozzle 78.5mm. Multifunction ceramic cartridge \varnothing 40: 7-setting temperature limit stop, dual flow (hard point at 50% opening). Flow between 4 and 6L / min at 3 bar - in accordance with the NF standard "medical environment"; possible flow modification, in case of disassembly of the limiters, by adjusting screw between 4 and 20L / min. Tapware fitted as standard star-shaped flow straightener. Body, spout and controls in polished chrome plated brass. SPEX stainless steel braided hoses, M10x1 LN G'3 / 8 L 450mm Basket filter seals mounted on the hoses limiting fouling. Reinforced fixation by a stainless steel rod. 10 year warranty. Sanifirst brand single hole washbasin mixer, tall fixed cast spout REF: 75611 or approved equivalent.



TECHNICAL DATASHEET

Additional Information

Product reference	75611
Previous reference	NC
Brand	Sanifirst
Warranty	10 years against manufacturing defects
Special feature 1	Fixed spout
Height to nozzle (mm)	78
Projection (mm)	110
Clip-on spout	No
Drainage	Without drainage
Flow straightener	Star shaped flow straightener, M24 x 1
Lever	Elbow / forearm / wrist handle
Connection	SPEX hoses 350 mm - M10 X 1 - LN G'3 / 8- with basket filter seals and flow rate limiters
Flow rate	Between 4 et 6 L/min at 3 bar
Minimum pressure	1 bar
Recommended pressure	3 bar
Maximum pressure	5 bar
Cartridge	75312 Ø 40mm, dual flow, flow limiter and temperature limiter
Coating	Nickel > 10 microns - Chrome > 0.3 microns