

### HEALTHCARE TAPWARE

### Hospital sink mixer, tall spout, swivel, with extractable shower head - 75621

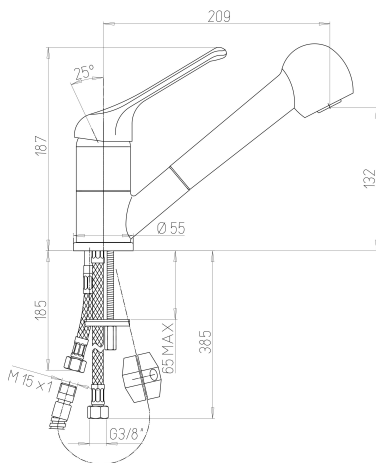


#### Benefits of the product

- Ergonomic: easy grip of the openwork handle
- Retractable shower for easy cleaning, 2-spray with anti-scaling spikes
- Comfortable height to spout and projection
- Multifunctional cartridge: temperature limit stop with 7 adjustment positions, double flow (hard point at 50% opening).
- Flow between 4 and 6L / min at 3 bar - in accordance with the French norm standard "Medical"; possible flow modification, in case of disassembly of the limiters, by adjusting screw between 4 and 20L / min.
- Water savings, safe operation and controlled water consumption.

#### Description

Single hole sink mixer without drain, deck-mount with open work handle. Swivel spout and two-spray shower head with removable limescale spikes and sliding hose. Height to nozzle 126mm, L 210mm. Multifunction ceramic cartridge  $\varnothing$  40: 7-setting temperature limit stop, dual flow (hard point at 50% opening). Flow between 4 and 6L / min at 3 bar - in accordance with the NF standard "medical environment"; possible flow modification, in case of disassembly of the limiters, by adjusting screw between 4 and 20L / min. Tapware fitted as standard star-shaped flow straightener. Body, spout, shower head and controls in polished chrome plated brass. SPEX Hoses, M10x1 LN G'3 / 8 L 350mm. Basket filter seals mounted on the hoses limiting fouling. Reinforced fixation by a stainless steel rod. 10 year warranty. Sanifirst brand single hole sink mixer, swivel spout and retractable shower head REF: 75621 or approved equivalent.





## TECHNICAL DATASHEET

### Additional Information

<b>Product reference</b>	75621
<b>Previous reference</b>	NC
<b>Brand</b>	Sanifirst
<b>Warranty</b>	10 years against manufacturing defects
<b>Special feature 1</b>	Swivel spout with shower head
<b>Height to nozzle (mm)</b>	132
<b>Projection (mm)</b>	209
<b>Height of lever (mm)</b>	187
<b>Clip-on spout</b>	No
<b>Flow straightener</b>	Star shaped flow straightener, M24 x 1
<b>Lever</b>	Openwork facilitates grip
<b>Connection</b>	SPEX hoses 350 mm - M10 X 1 - LN G'3 / 8 with basket filter seals and flow rate limiters
<b>Minimum pressure</b>	1 bar
<b>Recommended pressure</b>	3 bar
<b>Maximum pressure</b>	5 bar
<b>Cartridge</b>	75316 Ø 40mm, dual flow, flow limiter and temperature limiter