



HEALTHCARE TAPWARE

Single hole washbasin mixer tap - Energy savings -with drainage - 75635

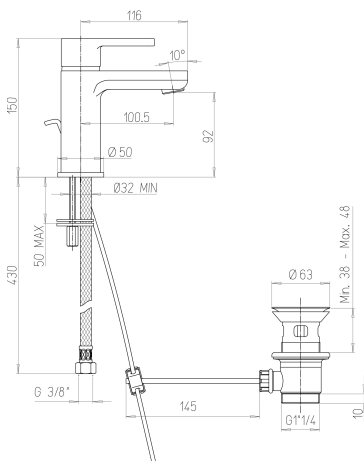


Benefits of the product

- Opening on cold water: avoids drawing hot water when first turned on (energy savings)
- Spout height and projection adapted to washing at the washbasin
- Perfectly adapted to all bathrooms.
- The hard spot can be uncoupled by the user: 3.9L/min at 3 bar
- Water savings and controlled water consumption

Description

Single-hole deck-mounted washbasin mixer tap with NF plastic drainage for hand-basin with thin control. Fixed cast spout projection 100.5mm. Spout height 92mm. Ø 35 energy saving ceramic cartridge: opening on cold water, hard spot at 3.9L/min at 3 bars. Tapware fitted with water saving aerator as standard. Body, spout and control component in polished chrome-plated brass. Hoses with SPEX sheath braided stainless steel M10X1, EP G'3/8, Len 500mm. Fixture strengthened using an M8 rod. 10 year guarantee. Sanifirst brand type single hole washbasin mixer tap with fixed cast spout REF: 75635 or approved equivalent





TECHNICAL DATASHEET

Additional Information

Product reference	75635
Previous reference	NC
Brand	Sanifirst
Warranty	10 years against manufacturing defects
Height to nozzle (mm)	92
Projection (mm)	100
Clip-on spout	No
Flow straightener	Star shaped flow straightener, M24 x 1
Lever	Wire lever
Connection	SPEX M10X1 hose, captive nut G'3/8 Length 500 mm
Minimum pressure	1 bar
Recommended pressure	3 bar
Maximum pressure	5 bar
Cartridge	Energy Savings Cartridge Ø35 mm