



LABORATORY TAPWARE

Gooseneck swivel spout, right hand side knob - 76006

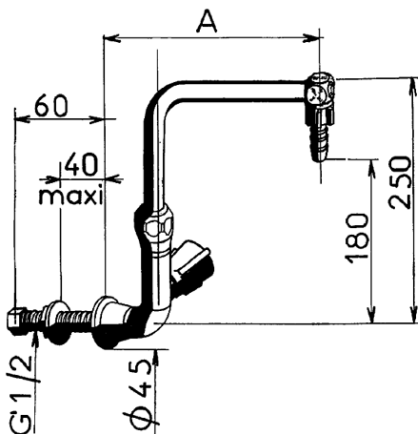


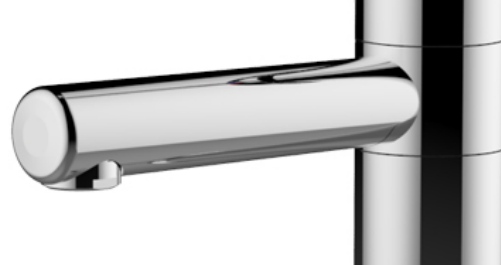
Benefits of the product

Coating: black Rilsan

Description

Gooseneck drinking water tap with swivel removable smooth spout for backsplash. Water tight guided valve head NF, threaded connection M G'1 / 2, \varnothing 10 mm removable serrated tip, 200mm projection. Polypropylene brace, base and flanged washer according to colour codes of the European standard NF EN 13792. Maximum tightening 55mm. Brass body and nozzle with black Nylolac coating (stronger than simple Epoxy finish). LHS knobs possible. Unique and patented reinforced mounting kit, the serrated tips are designed for a steel claw washer thereby preventing rotation of the tapware. 5 year warranty. First Labo brand gooseneck tap with swivel smooth removable spout with RHS knob for backsplash REF: 76006 or approved equivalent.





TECHNICAL DATASHEET

Additional Information

Product reference	76006
Previous reference	H9052PT
Brand	FirstLabo
Warranty	5 years against manufacturing defect
Special feature 1	Direct control tapware
Special feature 2	Backsplash
Special feature 3	Swivel spout
Nozzle 1	Removable connector Ø10 mm
Base color EN	Green
Base washer color EN	Blue
Insert color EN	Blue
Knob color EN	Green
Knob plate color EN	Green
Additional information	LHS knobs possible.
Height to nozzle (mm)	180
Length of spout (mm)	150
Opening mechanism	2.5 turns head
Projection (mm)	200
Connection	Threaded connection M G'1 / 2
Adjustable flow rate	No
Dual flow rate	No
Minimum pressure	1 bar
Recommended pressure	3 bar
Maximum pressure	5 bar
Blocking temperature	No
Length of threaded rod (mm)	102
Max tightening	55
Packing	1