



LABORATORY TAPWARE

Candlestick type table top tap with fixed spout - 76032

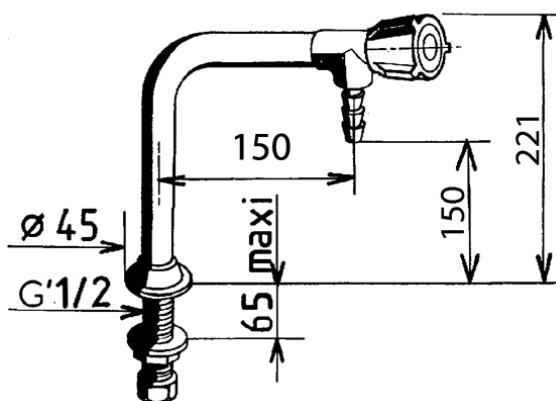


Benefits of the product

Coating: black Rilsan

Description

Tamper proof single lab tap (double thickness tube), National Education standard, smooth fixed spout for drinking water. Thread connection M G'1/2, \varnothing 6mm fixed serrated tip, 150mm projection. Polypropylene brace and flanged washer according to colour codes of the European standard NF EN 13792. Maximum tightening 65mm. Brass body and nozzle with black Nylolac coating (stronger than simple Epoxy finish). Unique and patented reinforced mounting kit, the serrated tips are designed for a steel claw washer thereby preventing rotation of the tapware. 5 year warranty. First Labo brand tamper-proof single deck-mount lab tap with smooth fixed spout REF: 76032 or approved equivalent.





TECHNICAL DATASHEET

Additional Information

Product reference	76032
Previous reference	H9079PT
Brand	FirstLabo
Warranty	5 years against manufacturing defect
Special feature 1	Candlestick
Special feature 2	Tabletop
Special feature 3	Fixed spout
Nozzle 1	Fixed connector Ø6 mm
Base washer color EN	Blue
Insert color EN	Blue
Knob color EN	Green
Knob plate color EN	Green
Additional information	Tamper-proof
Height to nozzle (mm)	150
Opening mechanism	2.5 turns head
Projection (mm)	150
Connection	Threaded connection M G'1 / 2Threaded connection M G'1 / 2Threaded connection M G'1 / 2
Adjustable flow rate	No
Dual flow rate	No
Minimum pressure	1 bar
Recommended pressure	3 bar
Maximum pressure	5 bar
Blocking temperature	No
Lenght of threaded rod (mm)	102
Max tightening	65
Packing	1