



### LABORATORY TAPWARE

#### Candlestick type table top tap with fixed spout - 76038

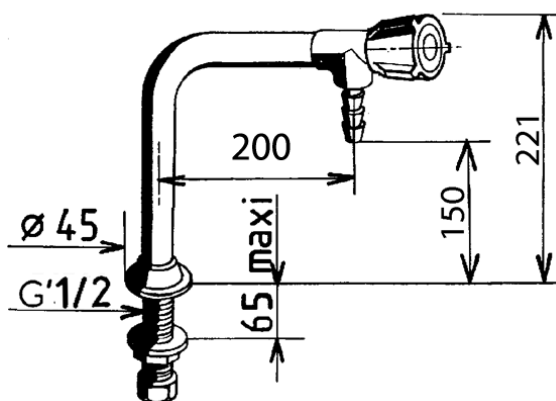


#### Benefits of the product

Coating: black Rilsan

#### Description

Tamper proof single lab tap (double thickness tube), National Education standard, smooth fixed spout for drinking water. Thread connection M G'1/2,  $\varnothing$  6mm fixed serrated tip, 200mm projection. Polypropylene brace and flanged washer according to colour codes of the European standard NF EN 13792. Maximum tightening 65mm. Brass body and nozzle with black Nylolac coating (stronger than simple Epoxy finish). Unique and patented reinforced mounting kit, the serrated tips are designed for a steel claw washer thereby preventing rotation of the tapware. 5 year warranty. First Labo brand tamper-proof single deck-mount lab tap with smooth fixed spout REF: 76038 or approved equivalent.





## TECHNICAL DATASHEET

### Additional Information

<b>Product reference</b>	76038
<b>Previous reference</b>	H9179PT
<b>Brand</b>	FirstLabo
<b>Warranty</b>	5 years against manufacturing defect
<b>Special feature 1</b>	Candlestick
<b>Special feature 2</b>	Tabletop
<b>Special feature 3</b>	Fixed spout
<b>Nozzle 1</b>	Fixed connector Ø6 mm
<b>Base washer color EN</b>	Blue
<b>Insert color EN</b>	Blue
<b>Knob color EN</b>	Green
<b>Knob plate color EN</b>	Green
<b>Additional information</b>	Tamper-proof
<b>Height to nozzle (mm)</b>	150
<b>Opening mechanism</b>	2.5 turns head
<b>Projection (mm)</b>	200
<b>Connection</b>	Threaded connection M G'1 / 2
<b>Adjustable flow rate</b>	No
<b>Dual flow rate</b>	No
<b>Minimum pressure</b>	1 bar
<b>Recommended pressure</b>	3 bar
<b>Maximum pressure</b>	5 bar
<b>Blocking temperature</b>	No
<b>Lenght of threaded rod (mm)</b>	102
<b>Max tightening</b>	65
<b>Packing</b>	1