



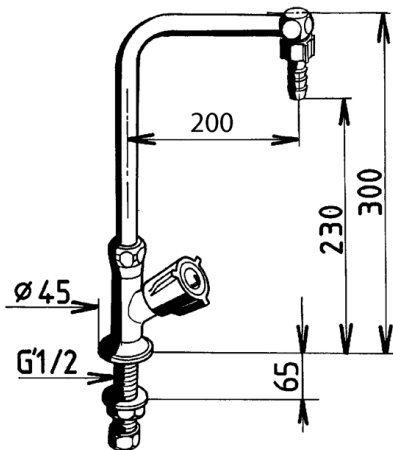
### LABORATORY TAPWARE

#### Column type table top single tap with swivel spout - 76047



#### Description

Single tap deck-mount column with smooth swivel removable spout, for drinking water. Thread connection M G'1/2,  $\varnothing$  10mm removable serrated tip, 200mm projection. Polypropylene brace and flanged washer according to colour codes of the European standard NF EN 13792. Maximum tightening 65mm. Brass body and nozzle with black Nylolac coating (stronger than simple Epoxy finish). Unique and patented reinforced mounting kit, the serrated tips are designed for a steel claw washer thereby preventing rotation of the tapware. 5 year warranty. First Labo brand single tap deck-mount column with smooth swivel removable spout REF: 76047 (formerly H9133PT) or approved equivalent.





## TECHNICAL DATASHEET

### Additional Information

<b>Product reference</b>	76047
<b>Previous reference</b>	H9133PT
<b>Brand</b>	FirstLabo
<b>Warranty</b>	5 years against manufacturing defect
<b>Special feature 1</b>	Direct control tapware
<b>Special feature 2</b>	Tabletop
<b>Special feature 3</b>	Swivel spout
<b>Nozzle 1</b>	Removable connector Ø10 mm
<b>Base washer color EN</b>	Blue
<b>Insert color EN</b>	Blue
<b>Knob color EN</b>	Green
<b>Knob plate color EN</b>	Green
<b>Height to nozzle (mm)</b>	230
<b>Opening mechanism</b>	2.5 turns head
<b>Projection (mm)</b>	200
<b>Connection</b>	Threaded connection M G'1 / 2
<b>Adjustable flow rate</b>	No
<b>Dual flow rate</b>	No
<b>Minimum pressure</b>	1 bar
<b>Recommended pressure</b>	3 bar
<b>Maximum pressure</b>	5 bar
<b>Blocking temperature</b>	No
<b>Length of threaded rod (mm)</b>	102
<b>Max tightening</b>	65
<b>Packing</b>	1