



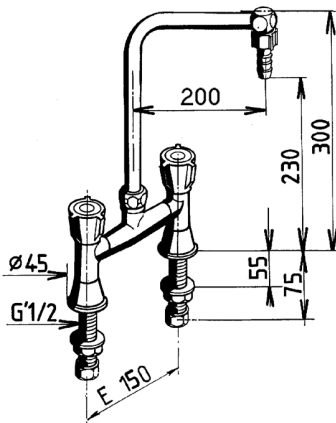
LABORATORY TAPWARE

Mixer, 150 mm span, table top, swivel spout - 76059



Description

Deck-mount 150 mm span mixer with smooth swivel removable spout, for drinking water. Thread connection M G'1/2, \varnothing 10mm removable serrated tip, 200mm projection. Polypropylene brace, base and flanged washer according to colour codes of the European standard NF EN 13792. Maximum tightening 55mm. Brass body and nozzle with black Nylolac coating (stronger than simple Epoxy finish). Unique and patented reinforced mounting kit, the serrated tips are designed for a steel claw washer thereby preventing rotation of the tapware. 5 year warranty. First Labo brand deck-mount 150 mm span mixer smooth swivel removable spout REF: 76059 (formerly H9199PT) or approved equivalent.





TECHNICAL DATASHEET

Additional Information

Product reference	76059
Previous reference	H9199PT
Brand	FirstLabo
Warranty	5 years against manufacturing defect
Special feature 1	Mixer
Special feature 2	Tabletop
Special feature 3	Swivel spout
Nozzle 1	Removable connector Ø10 mm
Base color EN	Green
Base washer color EN	Red
Base washer color 2 EN	Blue
Insert color EN	Red
Insert color 2 EN	Blue
Knob color EN	Green
Knob plate color EN	Green
Height to nozzle (mm)	230
Opening mechanism	2.5 turns head
Projection (mm)	200
Connection	Threaded connection M G'1 / 2
Adjustable flow rate	No
Dual flow rate	No
Minimum pressure	1 bar
Recommended pressure	3 bar
Maximum pressure	5 bar
Blocking temperature	No
Lenght of threaded rod (mm)	102
Max tightening	55
Packing	1