



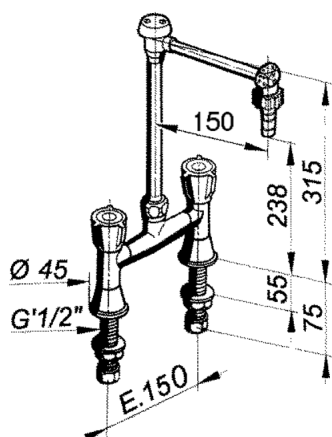
### LABORATORY TAPWARE

#### Mixer, 150 mm span, table top, swivel spout - 76082



#### Description

150 mm span deck-mount mixer with smooth swivel removable spout, with anti-siphon device, for drinking water. Thread connection M G'1/2,  $\varnothing$  10mm removable serrated tip, 150mm projection. Polypropylene brace, base and flanged washer according to colour codes of the European standard NF EN 13792. Maximum tightening 55mm. Brass body and nozzle with black Nylolac coating (stronger than simple Epoxy finish). Unique and patented reinforced mounting kit, the serrated tips are designed for a steel claw washer thereby preventing rotation of the tapware. 5 year warranty. First Labo brand 150 mm span deck-mount mixer with smooth swivel removable spout, with anti-siphon device REF: 76082 (formerly H9064PT) or approved equivalent.





## TECHNICAL DATASHEET

### Additional Information

|                                    |                                      |
|------------------------------------|--------------------------------------|
| <b>Product reference</b>           | 76082                                |
| <b>Previous reference</b>          | H9064PT                              |
| <b>Brand</b>                       | FirstLabo                            |
| <b>Warranty</b>                    | 5 years against manufacturing defect |
| <b>Special feature 1</b>           | Mixer                                |
| <b>Special feature 2</b>           | Tabletop                             |
| <b>Special feature 3</b>           | Swivel spout                         |
| <b>Nozzle 1</b>                    | Removable connector Ø10 mm           |
| <b>Base color EN</b>               | Green                                |
| <b>Base washer color EN</b>        | Red                                  |
| <b>Base washer color 2 EN</b>      | Blue                                 |
| <b>Insert color EN</b>             | Red                                  |
| <b>Insert color 2 EN</b>           | Blue                                 |
| <b>Knob color EN</b>               | Green                                |
| <b>Knob plate color EN</b>         | Green                                |
| <b>Height to nozzle (mm)</b>       | 238                                  |
| <b>Opening mechanism</b>           | 2.5 turns head                       |
| <b>Projection (mm)</b>             | 150                                  |
| <b>Connection</b>                  | Threaded connection M G'1 / 2        |
| <b>Adjustable flow rate</b>        | No                                   |
| <b>Dual flow rate</b>              | No                                   |
| <b>Minimum pressure</b>            | 1 bar                                |
| <b>Recommended pressure</b>        | 3 bar                                |
| <b>Maximum pressure</b>            | 5 bar                                |
| <b>Blocking temperature</b>        | No                                   |
| <b>Lenght of threaded rod (mm)</b> | 102                                  |
| <b>Max tightening</b>              | 55                                   |
| <b>Packing</b>                     | 1                                    |