



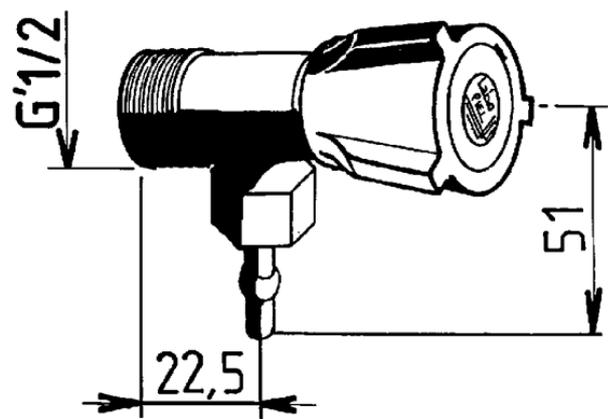
### LABORATORY TAPWARE

#### Simple fixed tap - 76092



#### Description

Single tap  
Connection: MG'1 / 2  
Max tightening: 5 mm  
Removable Ø 6mm nozzle





## TECHNICAL DATASHEET

### Additional Information

<b>Product reference</b>	76092
<b>Previous reference</b>	H9711PT
<b>Brand</b>	FirstLabo
<b>Warranty</b>	5 years against manufacturing defect
<b>Special feature 1</b>	Direct control tapware
<b>Special feature 2</b>	Backsplash
<b>Nozzle 1</b>	Removable connector Ø6 mm
<b>Insert color EN</b>	White
<b>Knob color EN</b>	Green
<b>Knob plate color EN</b>	White
<b>Opening mechanism</b>	2.5 turns head
<b>Projection (mm)</b>	22
<b>Connection</b>	M G'1/2
<b>Adjustable flow rate</b>	No
<b>Dual flow rate</b>	No
<b>Minimum pressure</b>	1 bar
<b>Recommended pressure</b>	1,5 bar
<b>Maximum pressure</b>	3 bar
<b>Blocking temperature</b>	No
<b>Max tightening</b>	5
<b>Packing</b>	1