



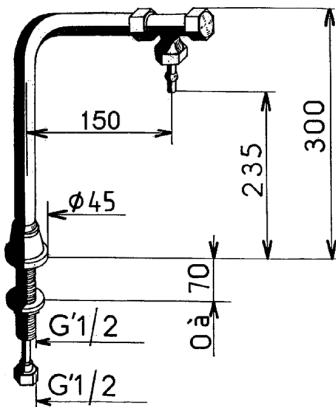
### LABORATORY TAPWARE

#### Table column with fixed spout - 76096



#### Description

Polypropylene column with fixed spout for acidic / basic fluid and deionized / reverse osmosis water. Connection by 1 m length female hose (length can be changed on request). Water tight guided valve head NF, threaded connection M G'1 / 2, ø 6mm removable serrated tip, comes with Rilsan hose. • Water supply from 0.5 to 1.5 bar 150mm projection. Base and flanged washer according to colour codes of the European standard NF EN 13792. Maximum tightening 55mm. Brass body and nozzle, polypropylene interior with black Nylolac coating (stronger than simple Epoxy finish). Unique and patented reinforced mounting kit, the serrated tips are designed for a steel claw washer thereby preventing rotation of the tapware. 5 year warranty. First Labo brand fixed spout column tap REF: 76096 (formerly H9720PT) or approved equivalent.





## TECHNICAL DATASHEET

### Additional Information

<b>Product reference</b>	76096
<b>Previous reference</b>	H9720PT
<b>Brand</b>	FirstLabo
<b>Warranty</b>	5 years against manufacturing defect
<b>Special feature 1</b>	Remotely controlled tapware
<b>Special feature 2</b>	Tabletop
<b>Nozzle 1</b>	Removable connector Ø6 mm
<b>Base color EN</b>	Green
<b>Base washer color EN</b>	White
<b>Additional information</b>	With Rilsan tube
<b>Height to nozzle (mm)</b>	235
<b>Projection (mm)</b>	150
<b>Connection</b>	LN G'1/2
<b>Adjustable flow rate</b>	No
<b>Dual flow rate</b>	No
<b>Minimum pressure</b>	1 bar
<b>Recommended pressure</b>	1,5 bar
<b>Maximum pressure</b>	3 bar
<b>Blocking temperature</b>	No
<b>Length of threaded rod (mm)</b>	102
<b>Max tightening</b>	55
<b>Packing</b>	1