



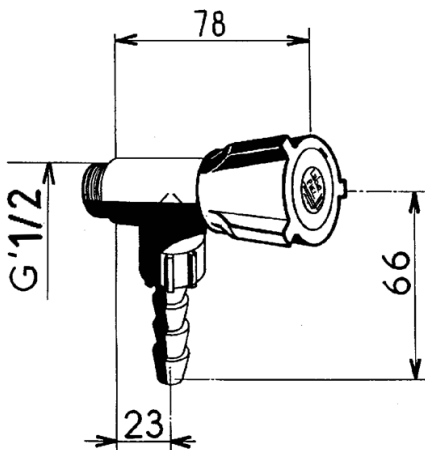
LABORATORY TAPWARE

Backrest mount tap - 76151



Description

Single wall-mount tap, for compressed air. Guided water proof valve head NF, removable serrated tip \varnothing 6mm, thread connection M G'1 / 2, 23mm projection. Polypropylene brace according to colour codes of the European standard NF EN 13792. Brass body and nozzle with black Nylolac coating (stronger than simple Epoxy finish). 5 year warranty. First Labo brand single wall-mount tap REF: 76151 (formerly H7610PT) or approved equivalent.





TECHNICAL DATASHEET

Additional Information

Product reference	76151
Previous reference	H7610PT
Brand	FirstLabo
Warranty	5 years against manufacturing defect
Special feature 1	Direct control tapware
Special feature 2	Backsplash
Special feature 3	With one tap
Nozzle 1	Removable connector Ø6 mm
Base color EN	
Base washer color EN	
Insert color EN	Yellow
Knob color EN	Blue
Knob plate color EN	Blue
Opening mechanism	2.5 turns head
Connection	M G'1/2
Adjustable flow rate	No
Dual flow rate	No
Minimum pressure	1 bar
Recommended pressure	5 bar
Maximum pressure	7 bar
Blocking temperature	No
Length of threaded rod (mm)	
Packing	1