



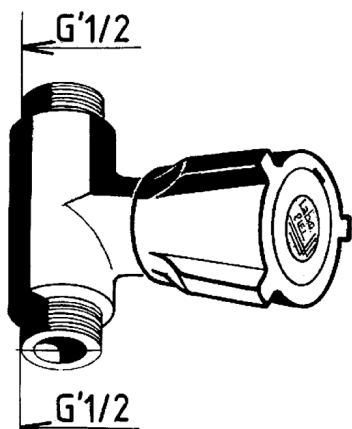
LABORATORY TAPWARE

Hand wheel tap - 76154



Description

Hand wheel tap for compressed air. Water tight guided valve head NF, threaded connection M G'1 / 2. Polypropylene brace according to colour codes of the European standard NF EN 13792. Brass body with black Nylolac coating (stronger than simple Epoxy finish). 5 year warranty. First Labo brand hand wheel tap REF: 76154 (formerly H7614PT) or approved equivalent.





TECHNICAL DATASHEET

Additional Information

Product reference	76154
Previous reference	H7614PT
Brand	FirstLabo
Warranty	5 years against manufacturing defects
Special feature 1	Remotely controlled tapware/ laboratory fume hood
Special feature 3	With one tap
Insert color EN	Yellow
Knob color EN	Blue
Knob plate color EN	Blue
Opening mechanism	2.5 turns head
Connection	M G'1/2
Adjustable flow rate	No
Dual flow rate	No
Minimum pressure	1 bar
Recommended pressure	5 bar
Maximum pressure	7 bar
Blocking temperature	No
Packing	1