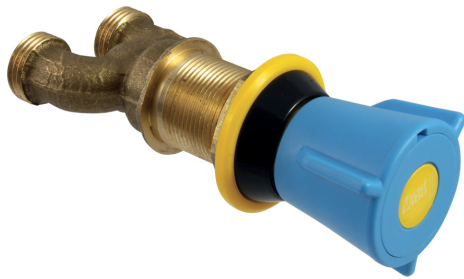




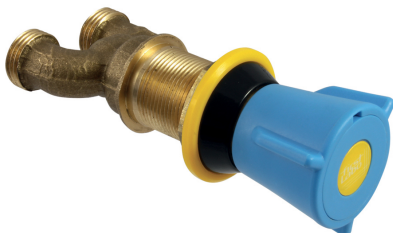
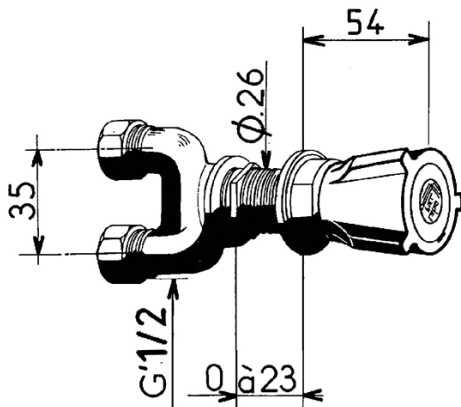
LABORATORY TAPWARE

Remote control tap - 76155



Description

Tap for compressed air. Water tight control valve NF, connection M G'1 / 2, lock nut. Polypropylene brace and flanged washer according to colour codes of the European standard NF EN 13792. Brass body with black Nylolac coating (stronger than simple Epoxy finish). 5 year warranty. First Labo brand tap REF: 76155 (formerly H7615PT) or approved equivalent.





TECHNICAL DATASHEET

Additional Information

Product reference	76155
Previous reference	H7615PT
Brand	FirstLabo
Warranty	5 years against manufacturing defects
Special feature 1	Remotely controlled tapware/ laboratory fume hood
Special feature 2	Tabletop or backsplash
Special feature 3	With one tap
Base washer color EN	Yellow
Insert color EN	Yellow
Knob color EN	Blue
Knob plate color EN	Blue
Additional information	
Opening mechanism	2.5 turns head
Connection	M G'1/2
Adjustable flow rate	No
Dual flow rate	No
Minimum pressure	1 bar
Recommended pressure	5 bar
Maximum pressure	7 bar
Blocking temperature	No
Max tightening	25
Packing	1