



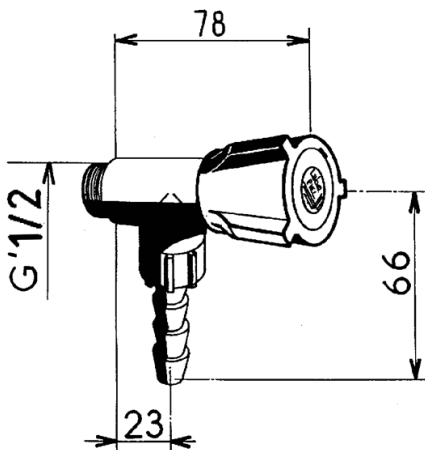
LABORATORY TAPWARE

Single tap - 76168



Description

Bare vacuum tap. Guided water proof valve head NF, removable serrated tip \varnothing 6mm, thread connection M G'1 / 2, 23mm projection. Polypropylene brace according to colour codes of the European standard NF EN 13792. Brass body and nozzle with black Nylolac coating (stronger than simple Epoxy finish). 5 year warranty. First Labo brand bare tap REF: 76168 (formerly H9310PT) or approved equivalent.





TECHNICAL DATASHEET

Additional Information

Product reference	76168
Previous reference	H9310PT
Brand	FirstLabo
Warranty	5 years against manufacturing defects
Special feature 1	Direct control tapware
Special feature 2	Backsplash
Special feature 3	With one tap
Nozzle 1	Removable connector Ø6 mm
Base color EN	grey
Base washer color EN	gray
Insert color EN	grey
Knob color EN	grey
Knob plate color EN	grey
Opening mechanism	2.5 turns head
Projection (mm)	23
Connection	M G'1/2
Adjustable flow rate	No
Dual flow rate	No
Minimum pressure	1 bar
Recommended pressure	5 bar
Maximum pressure	7 bar
Blocking temperature	No
Packing	1