



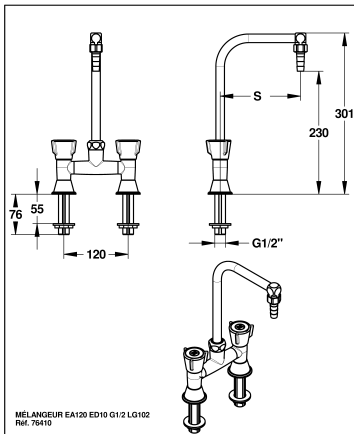
LABORATORY TAPWARE

120 mm span deck-mounted mixer with swivel spout - 76417



Description

120mm span mixer tap with smooth directional removable spout, for potable water. Threaded M G'1/2 stem connection, \varnothing 10mm removable grooved tip, projection 250mm. Polypropylene crosses, bases and base washers using the NF EN 13792 European standard colour codes. Maximum tightening 55mm. Brass body and tips with black Nylolac coating (stronger than a basic epoxy finish). 5 year guarantee. First Labo brand type deck-mounted mixer tap with 120mm span with smooth directional removable spout REF: 76417 or approved equivalent..





TECHNICAL DATASHEET

Additional Information

| | |
|------------------------------------|---|
| Product reference | 76417 |
| Previous reference | NC |
| Brand | FirstLabo |
| Warranty | 5 years against manufacturing defect |
| Special feature 1 | Mixer |
| Special feature 2 | Tabletop |
| Special feature 3 | Swivel spout |
| Nozzle 1 | Removable connector Ø10 mm |
| Base color EN | Green |
| Base washer color EN | Red |
| Base washer color 2 EN | Blue |
| Insert color EN | Red |
| Insert color 2 EN | Blue |
| Knob color EN | Green |
| Knob plate color EN | Green |
| Height to nozzle (mm) | 230 |
| Opening mechanism | 2.5 turns head |
| Projection (mm) | 250 |
| Connection | Threaded connection M G'1 / 2Threaded connection M G'1 / 2Threaded connection M G'1 / 2 |
| Adjustable flow rate | No |
| Dual flow rate | No |
| Minimum pressure | 1 bar |
| Recommended pressure | 3 bar |
| Maximum pressure | 5 bar |
| Blocking temperature | No |
| Lenght of threaded rod (mm) | 102 |
| Max tightening | 55 |
| Packing | 1 |