



### LABORATORY TAPWARE

#### Candlestick type table top - 240 mm projection fixed spout and fixed nozzle - 76788

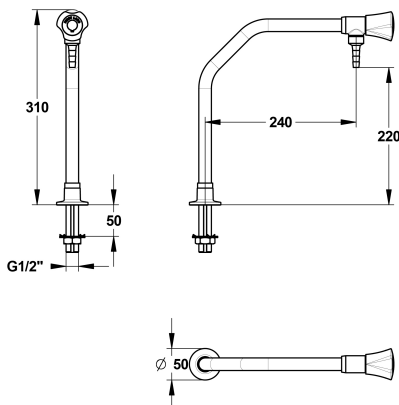


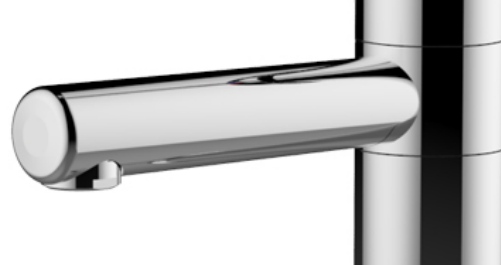
#### Benefits of the product

- Ergonomic knob for an easier opening/closing
- The shape of the base ensures a better sealing of the washbasin
- White colour body: purity and hygiene
- Nice and modern spout bending
- Thickness of the spout: 20 mm diameter for all the spout
- Resistance to corrosion and impact: RILSAN coating
- Smooth surface, limits deposits

#### Description

Single candlestick deck-mounted tap with smooth fixed spout for drinkable water. National Education approved. Thread connection M G'1/2,  $\varnothing$  6mm fixed nozzle, 240mm projection. Polypropylene knob according to colour codes of the European standard NF 13792. Maximum tightening 50mm. Brass body and nozzle with white Nylolac coating (stronger than simple Epoxy finish). Unique and patented reinforced mounting kit, the serrated tips are designed for a steel claw washer thereby preventing rotation of the tapware. 5 year warranty. FirstLabo brand single tap deck-mounted candlestick with smooth fixed removable spout REF: 76788 or approved equivalent.





## TECHNICAL DATASHEET

### Additional Information

<b>Product reference</b>	76788
<b>Previous reference</b>	NC
<b>Brand</b>	FirstLabo
<b>Warranty</b>	5 years against manufacturing defect
<b>Special feature 1</b>	Candlestick
<b>Special feature 2</b>	Tabletop
<b>Special feature 3</b>	Fixed spout
<b>Nozzle 1</b>	Fixed connector Ø6 mm
<b>Insert color EN</b>	Blue (drinkable water)
<b>Knob color EN</b>	Green (drinkable water)
<b>Knob plate color EN</b>	Green (drinkable water)
<b>Height to nozzle (mm)</b>	220
<b>Opening mechanism</b>	2.5 turns head
<b>Projection (mm)</b>	240
<b>Connection</b>	M G'1/2" threaded rod
<b>Flow rate</b>	The cartridge is used to adjust the flow
<b>Adjustable flow rate</b>	Yes
<b>Dual flow rate</b>	No
<b>Minimum pressure</b>	1 bar
<b>Recommended pressure</b>	3 bar
<b>Maximum pressure</b>	5 bar
<b>Blocking temperature</b>	No
<b>Length of threaded rod (mm)</b>	102
<b>Max tightening</b>	50
<b>Packing</b>	1