



### LABORATORY TAPWARE

#### Table top twin tap - Projection 250 mm fixed and swivel spout, with fixed nozzle - 76797

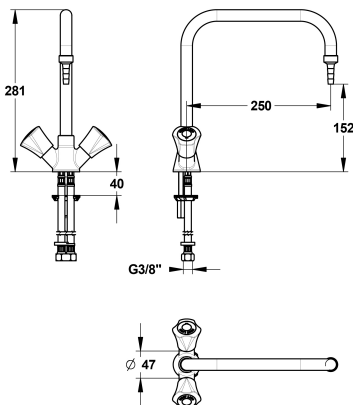


#### Benefits of the product

- Ergonomic knob for an easier opening/closing
- Smooth interior spout, fixed and swivel (at the choice of the technician, using a blocking screw)
- White colour body: purity and hygiene
- Nice and modern spout bending
- Thickness of the spout: 20 mm diameter for all the spout
- Resistance to corrosion and impact: RILSAN coating
- Smooth surface, limits deposits

#### Description

Dual tap deck-mounted mixer with smooth fixed and swivel (at the choice of the technician, using a blocking screw) removable spout, for drinking water. SPEX stainless steel hose, M10X1, LN G'3 / 8 L 600mm, ø6mm fixed nozzle, 250mm projection. Height to nozzle: 151 mm. Polypropylene knobs according to colour codes of the European standard NF EN 13792. Maximum tightening 40mm. Brass body and nozzle with white Nylolac coating (stronger than simple Epoxy finish). 5 year warranty. First Labo brand dual tap deck-mounted with smooth fixed and swivel removable spout REF: 76797 or approved equivalent.





## TECHNICAL DATASHEET

### Additional Information

<b>Product reference</b>	76797
<b>Previous reference</b>	NC
<b>Brand</b>	FirstLabo
<b>Warranty</b>	5 years against manufacturing defect
<b>Special feature 1</b>	Mixer
<b>Special feature 2</b>	Fixed spout
<b>Special feature 3</b>	Swivel spout
<b>Special feature 4</b>	Tabletop
<b>Nozzle 1</b>	Fixed connector Ø6 mm
<b>Insert color EN</b>	Red (drinkable water)
<b>Insert color 2 EN</b>	Blue (drinkable water)
<b>Knob color EN</b>	Green (drinkable water)
<b>Knob plate color EN</b>	Green (drinkable water)
<b>Height to nozzle (mm)</b>	152
<b>Opening mechanism</b>	2.5 turns head
<b>Projection (mm)</b>	250
<b>Connection</b>	SPEX stainless steel hose, M10X1, LN G'3 / 8 L 600mm
<b>Flow rate</b>	The cartridge is used to adjust the flow
<b>Adjustable flow rate</b>	Yes
<b>Dual flow rate</b>	No
<b>Minimum pressure</b>	1 bar
<b>Recommended pressure</b>	3 bar
<b>Maximum pressure</b>	5 bar
<b>Blocking temperature</b>	No
<b>Max tightening</b>	40
<b>Packing</b>	1