



LABORATORY TAPWARE

Table column, projection 200 mm, with fixed and swivel spout, with removable nozzle - 76800

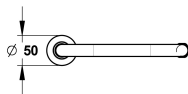
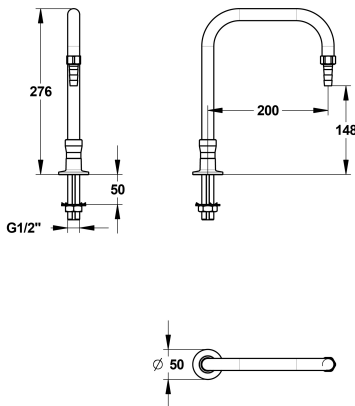


Benefits of the product

- Smooth interior spout, fixed and swivel (at the choice of the technician, using a blocking screw)
- The shape of the base ensures a better sealing of the washbasin
- White colour body: purity and hygiene
- Nice and modern spout bending
- Thickness of the spout: 20 mm diameter for all the spout
- Resistance to corrosion and impact: RILSAN coating
- Smooth surface, limits deposits

Description

Deck-mounted column with smooth fixed and swivel (at the choice of the technician, using a screw) removable spout, for drinking water. Thread connection M G'1/2, \varnothing 10mm removable nozzle, 200mm projection. Maximum tightening 50mm. Body and nozzle in brass according to colour codes of the European standard NF EN 13792. Brass body and nozzle with white Nylolac coating (stronger than simple Epoxy finish). Unique and patented reinforced mounting kit, the serrated tips are designed for a steel claw washer thereby preventing rotation of the tapware. 5 year warranty. First Labo brand deck-mounted column smooth fixed and swivel removable spout REF: 76800 or approved equivalent.





TECHNICAL DATASHEET

Additional Information

Product reference	76800
Previous reference	NC
Brand	FirstLabo
Warranty	5 years against manufacturing defect
Special feature 1	Fixed spout
Special feature 2	Swivel spout
Special feature 3	Tabletop
Nozzle 1	Removable connector Ø10 mm
Additional information	Possibility to install the column on a fume cupboard
Height to nozzle (mm)	148
Projection (mm)	200
Connection	M G'1/2 threaded rod
Adjustable flow rate	No
Dual flow rate	No
Minimum pressure	1 bar
Recommended pressure	3 bar
Maximum pressure	5 bar
Blocking temperature	No
Lenght of threaded rod (mm)	102
Max tightening	50
Packing	1