

### LABORATORY TAPWARE

#### Column type table top single tap, projection 150 mm, fixed and swivel spout, with removable nozzle - 76804

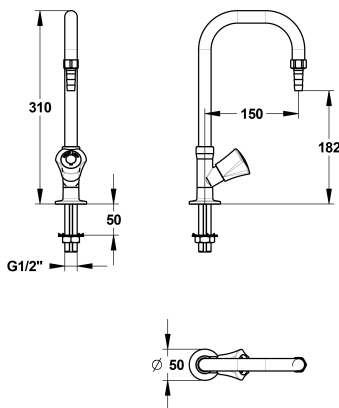


#### Benefits of the product

- Ergonomic knob for an easier opening/closing
- Smooth interior spout, fixed and swivel (at the choice of the technician, using a blocking screw)
- The shape of the base ensures a better sealing of the washbasin
- White colour body: purity and hygiene
- Nice and modern spout bending
- Thickness of the spout: 20 mm diameter for all the spout
- Resistance to corrosion and impact: RILSAN coating
- Smooth surface, limits deposits

#### Description

Single tap deck-mounted column with smooth fixed and swivel (at the choice of the technician, using a blocking screw) removable spout, for drinking water. Thread connection M G'1/2,  $\varnothing$  10mm removable nozzle, 150mm projection. Polypropylene knobs according to colour codes of the European standard NF EN 13792. Maximum tightening 50mm. Brass body and nozzle with white Nylolac coating (stronger than simple Epoxy finish). Unique and patented reinforced mounting kit, the serrated tips are designed for a steel claw washer thereby preventing rotation of the tapware. 5 year warranty. First Labo brand single tap deck-mounted column with smooth fixed and swivel removable spout REF: 76804 or approved equivalent.





## TECHNICAL DATASHEET

### Additional Information

<b>Product reference</b>	76804
<b>Previous reference</b>	NC
<b>Brand</b>	FirstLabo
<b>Warranty</b>	5 years against manufacturing defect
<b>Special feature 1</b>	Tabletop
<b>Special feature 2</b>	Fixed spout
<b>Special feature 3</b>	Swivel spout
<b>Nozzle 1</b>	Removable connector Ø10 mm
<b>Insert color EN</b>	Blue (drinkable water)
<b>Knob color EN</b>	Green (drinkable water)
<b>Knob plate color EN</b>	Green (drinkable water)
<b>Height to nozzle (mm)</b>	182
<b>Opening mechanism</b>	2.5 turns head
<b>Projection (mm)</b>	150
<b>Connection</b>	M G'1/2 threaded rod
<b>Flow rate</b>	The cartridge is used to adjust the flow
<b>Adjustable flow rate</b>	Yes
<b>Dual flow rate</b>	No
<b>Minimum pressure</b>	1 bar
<b>Recommended pressure</b>	3 bar
<b>Maximum pressure</b>	5 bar
<b>Blocking temperature</b>	No
<b>Length of threaded rod (mm)</b>	102
<b>Max tightening</b>	50
<b>Packing</b>	1