



LABORATORY TAPWARE

Column type table top single tap, projection 200 mm, fixed and swivel spout, with fixed nozzle - 76807

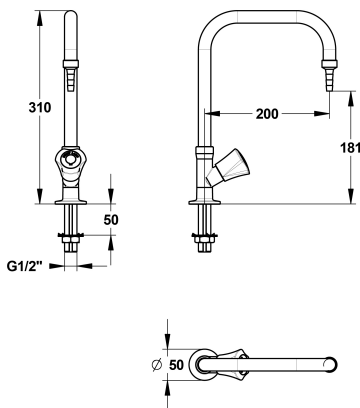


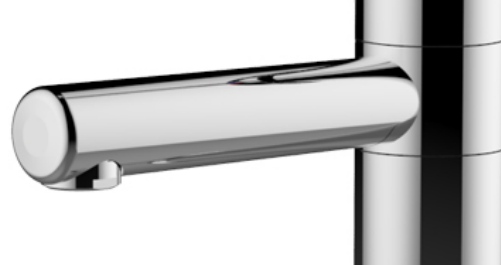
Benefits of the product

- Ergonomic knob for an easier opening/closing
- Smooth interior spout, fixed and swivel (at the choice of the technician, using a blocking screw)
- The shape of the base ensures a better sealing of the washbasin
- White colour body: purity and hygiene
- Nice and modern spout bending
- Thickness of the spout: 20 mm diameter for all the spout
- Resistance to corrosion and impact: RILSAN coating
- Smooth surface, limits deposits

Description

Single tap deck-mounted column with smooth fixed and swivel (at the choice of the technician, using a blocking screw) removable spout, for drinking water. Thread connection M G'1/2, \varnothing 6mm fixed nozzle, 200mm projection. Polypropylene knobs according to colour codes of the European standard NF EN 13792. Maximum tightening 50mm. Brass body and nozzle with white Nylolac coating (stronger than simple Epoxy finish). Unique and patented reinforced mounting kit, the serrated tips are designed for a steel claw washer thereby preventing rotation of the tapware. 5 year warranty. First Labo brand single tap deck-mounted column with smooth fixed and swivel removable spout REF: 76807 or approved equivalent.





TECHNICAL DATASHEET

Additional Information

Product reference	76807
Previous reference	NC
Brand	FirstLabo
Warranty	5 years against manufacturing defect
Special feature 1	Tabletop
Special feature 2	Fixed spout
Special feature 3	Swivel spout
Nozzle 1	Fixed connector Ø6 mm
Insert color EN	Blue (drinkable water)
Knob color EN	Green (drinkable water)
Knob plate color EN	Green (drinkable water)
Height to nozzle (mm)	181
Opening mechanism	2.5 turns head
Projection (mm)	200
Connection	M G'1/2 threaded rod
Flow rate	The cartridge is used to adjust the flow
Adjustable flow rate	Yes
Dual flow rate	No
Minimum pressure	1 bar
Recommended pressure	3 bar
Maximum pressure	5 bar
Blocking temperature	No
Length of threaded rod (mm)	102
Max tightening	50
Packing	1