



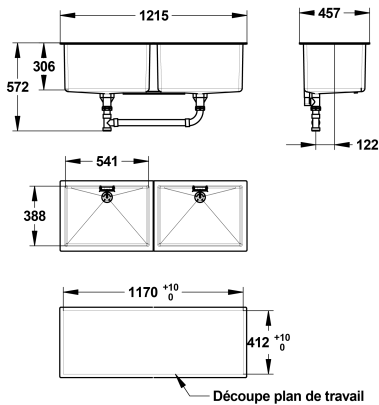
### LABORATORY DRAINAGE

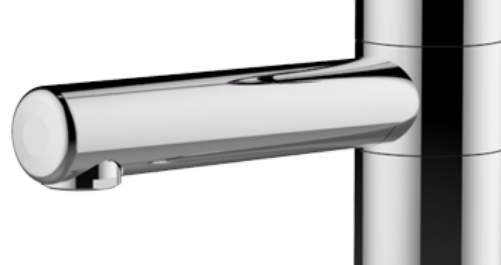
#### Double white sink with overflow 45x120 cm - 77027



#### Description

Double white polypropylene sink with overflow and drain 450X1200mm, wall outlet and S60x6 thread  $\varnothing$  40mm. Total Width (A): 457mm, total length (B): 1215mm. 5-year warranty against manufacturing defects. Saniserap Brand double white sink 450X1200mm REF: 77027 (formerly BA3 DSM B) or approved equivalent.





## TECHNICAL DATASHEET

### Additional Information

<b>Product reference</b>	77027
<b>Previous reference</b>	BA3 DSM B
<b>Brand</b>	Saniserap
<b>Warranty</b>	5 years
<b>Dimension A (mm)</b>	457
<b>Dimension B (mm)</b>	1215
<b>Depth (mm)</b>	305
<b>Lenght (mm)</b>	120
<b>Internal lenth (mm)</b>	385
<b>Special feature 1</b>	Dual
<b>Special feature 2</b>	With overflow and basin waste
<b>Special feature 3</b>	Wall-mounted output
<b>Special feature 4</b>	White
<b>Packing</b>	1
<b>Connection</b>	S60x6 thread Ø 40 mm