



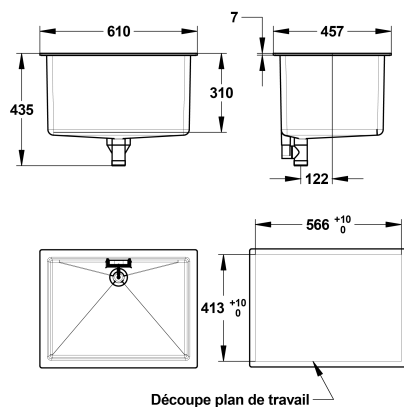
LABORATORY DRAINAGE

Single grey sink with overflow 45x60 cm - 77032



Description

Single grey polypropylene sink with overflow and drain 450X600mm, wall outlet and S60x6 thread \varnothing 40mm. Total height with outlet (A): 435mm, total height without outlet (H): 310mm, length (B): 122mm, total length (C): 457mm, largest dimension (D): 610mm, total thickness (E): 7mm. 5-year warranty against manufacturing defects. Saniserap Brand single grey sink 450X600mm REF: 77032 (formerly BA3 G) or approved equivalent.





TECHNICAL DATASHEET

Additional Information

Product reference	77032
Previous reference	BA3 G
Brand	Saniserap
Warranty	5 years
Dimension A (mm)	435
Dimension B (mm)	122
Dimension C (mm)	457
Dimension D (mm)	610
Dimension E (mm)	7
Dimension H (mm)	310
Inlet diameter	
Depth (mm)	305
Lenght (mm)	60
Internal lenth (mm)	385
Special feature 1	Simple
Special feature 2	With overflow and basin waste
Special feature 3	Wall-mounted output
Special feature 4	Grey
Packing	1
Connection	S60x6 thread Ø 40 mm