

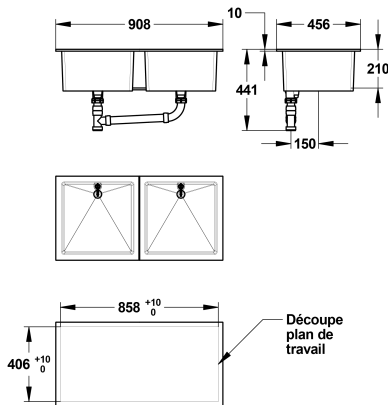
LABORATORY DRAINAGE

Double grey sink with overflow 45x90 cm - 77039



Description

Double grey polypropylene sink with overflow and drain 450X900mm, wall outlet and S60x6 thread \varnothing 40mm. Total Width (A): 457mm, total length (B): 908mm. 5-year warranty against manufacturing defects. Saniserap Brand double grey sink 450X900mm REF: 77039 (formerly EV3 DSM G) or approved equivalent.





TECHNICAL DATASHEET

Additional Information

Product reference	77039
Previous reference	EV3 DSM G
Brand	Saniserap
Warranty	5 years
Dimension A (mm)	457
Dimension B (mm)	908
Depth (mm)	205
Lenght (mm)	90
Internal lenth (mm)	380
Special feature 1	Dual
Special feature 2	With overflow and basin waste
Special feature 3	Wall-mounted output
Special feature 4	Grey
Packing	1
Connection	S60x6 thread Ø 40 mm