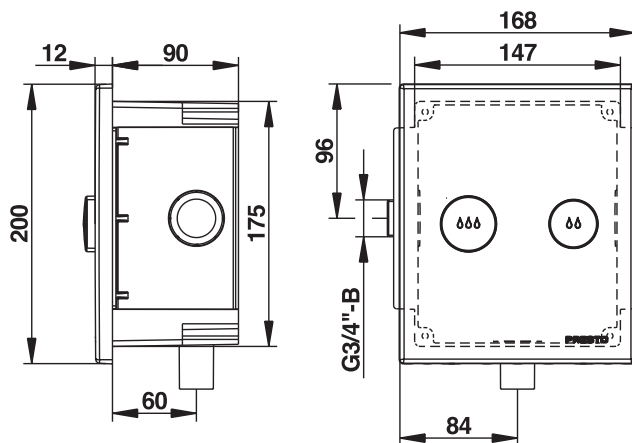


**Range:** Direct dual flush valve with adjustable volumes with brushed chrome-plated front plate

**Ref:** 14300 - PRESTO 1000 XL E DVA - 3L/6L with brushed chrome-plated front plate



#### > Working pressure :

- 1 to 5 bar

#### > Discharge volume per flush :

- High volume : from 6 to 9 liters adjustable with wrench
- Low volume : from 2.5 to 5 liters adjustable by the slider on front plate
- Anti-water-hammering device
- Automatic 1 l/s flow regulator from 1.2 to 4 bar dynamic working pressure

#### > Flow time :

- High volume : 6 to 9 seconds
- Low volume : 2 to 5 seconds

#### > Hydraulic supply :

- Right or left square M G 3/4" (20x27)
- Outlet connection on flush pipe Ø 28 mm

#### > Material and colour finish :

- Brass body
- Brushed chrome-plated front plate with anti-fingerprint

#### > Security :

- Vacuum breaker device prevents the contamination of the water network from polluted water backflow
- Patented anti-blocking "S" system preventing the tap to be blocked in open position to avoid continued water flow

#### > Delivered with:

- 1 Concealed ABS case
- 1 Brushed chromed -plated front plate
- 1 Flush valve P1000XL type with integrated stop-valve
- 1 Instruction manual

#### > Standards & approvals :

- Brass body in accordance with EN 1982, EN 12164, EN 12165
- Nickel-Chrome plated according to EN12540
- 200-hour neutral salt spray resistant (NSS) in accordance with ISO 9227

