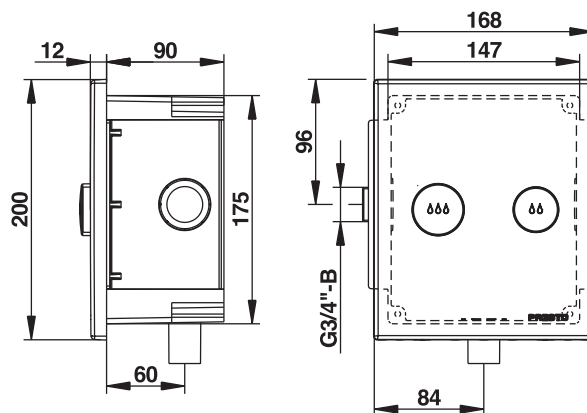


Range: Self-closing dual flush valve

Ref: 14303 - PRESTO 1000 XL E DVA - ECO 2L/4L with brushed chrome-plated front plate



> Working pressure :

- 1 to 5 bar

> Discharge volume per flush :

- High volume : 4l ± 1l
- Low volume : 2l ± 1l
- Anti-water-hammering device
- Automatic 1 l/s flow limiter from 1.2 to 4 bar dynamic working pressure

> Flow time duration :

- High volume : 4s±1s
- Low volume : 2s±1s

> Hydraulic supply :

- Right or left square M G 3/4" (20x27)
- Outlet connection on flush pipe Ø 28 mm

> Material and colour finish :

- Brass body
- Brushed chrome-plated front plate with anti-fingerprint

> Security :

- Vacuum breaker device prevents the contamination of the water network from polluted water backflow
- Patented anti-blocking "S" system preventing the tap to be blocked in open position to avoid continued water flow

> Delivered with:

- 1 Concealed ABS case
- 1 Brushed chromed -plated front plate
- 1 Flush valve P1000XL, ECO 2L/4L type with integrated stop-valve
- 1 Instruction manual

> Standards & approvals :

- Brass body in accordance with EN 1982, EN 12164, EN 12165
- Nickel-Chrome plated according to EN12540
- 200-hour neutral salt spray resistant (NSS) in accordance with ISO 9227

