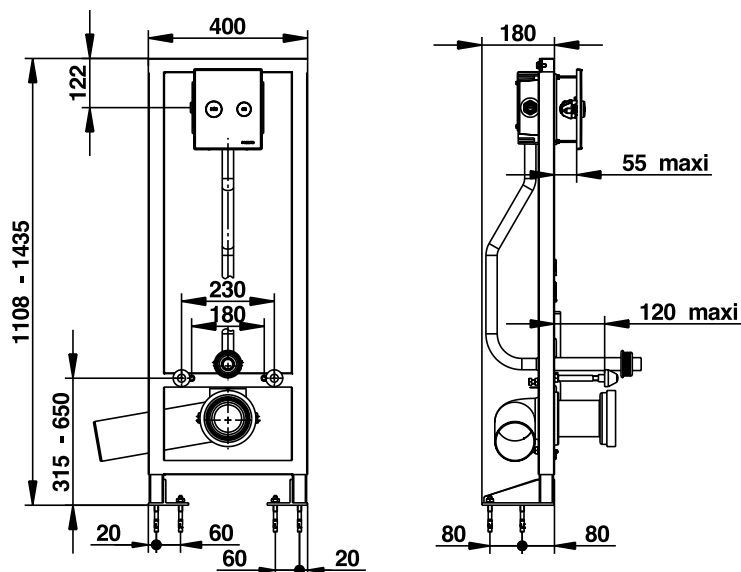


Range: SELF-SUPPORTING MOUNTING FRAME WITH DIRECT FLUSH

Ref: 18524 - Self-supporting mounting frame P1000 XL E DVA Eco 2l-4l, Brushed chrome-plated front plate



> Working pressure:

- 1 to 5 bar

> Discharge volume per flush:

- High volume : 4 liters, adjustable with wrench
- Low volume : 2 liters, adjustable by the slider on the front plate
- Anti-water-hammering device
- Automatic 1 l/s flow regulator from 1.2 to 4 bar dynamic working pressure

> Flow time:

- 4s ± 1s for high volume
- 2s ± 1s for low volume

> Hydraulic supply:

- On the double volume flush valve with integrated male G3 / 4 " (20x27) shut-off valve
- Ø28 mm connection on P1000
- Ø32 mm connection on WC
- Right or left power supply external to the box

> Material and colour finish:

- 60 micron epoxy coated soldered steel mounting frame
- Galvanized legs and floor fixing plates
- Brass body flush valve
- Brushed chrome-plated front plate

> Security:

- Patented anti-blocking "S" system preventing the tap to be blocked in open position to avoid continued water flow
- Vacuum breaker device prevents the contamination of the water network from polluted water backflow

> Delivered with:

- 1 Flush valve with stop valve integrated
- 1 Brass coupling nut Male Female 3/4" (20x27)
- 1 PVC angle tube Ø 32 mm and 1 junction nozzle male 55 mm
- 1 Extended straight PE tube 100 mm with adapter sleeve for connection to the bowl
- 1 WC outlet angle PVC pipe dia. 100 mm
- Screw and dowel for toilet bowl fixing

> Standards & approvals:

- Acoustic class II
- Brass body in accordance with EN 1982, EN 12164, EN 12165
- Molded chrome-plated front plate in accordance with EN 12540
- 200-hour neutral salt spray resistant (NSS) in accordance with ISO 9227

