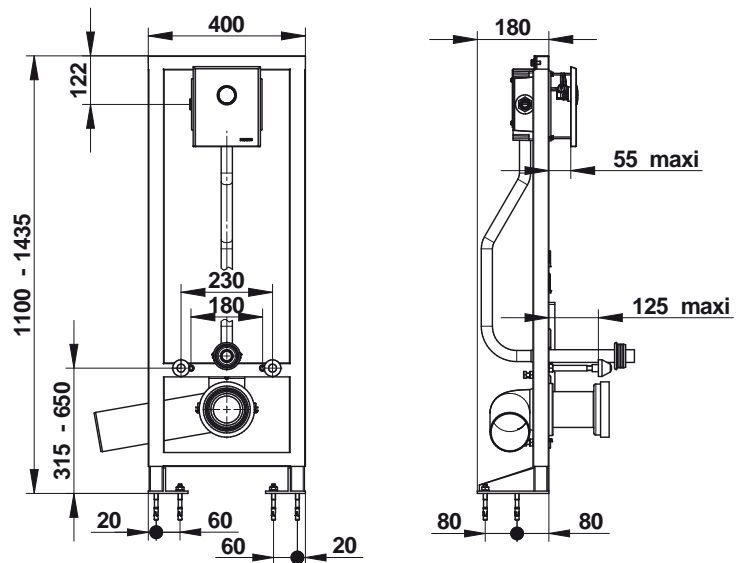


Range: Self supporting mounting frame with direct flush

Ref: 18547 - mounting frame with vandal-proof control



> Working pressure :

- 1 to 5 bar

> Volume of water delivered :

- Adjustable from 6 to 9 l
- Anti-water-hammering design
- Automatic 1 l/s flow limiter, 1.2 to 4 bar dynamic working pressure

> Hydraulic supply :

- On a PRESTO 1000 XL with an integrated stop valve M G 3/4" (20x27)
- Supply either from right or from left of the concealing box

> Material and colour finish :

- 60 micron Epoxy coated soldered Steel mounting frame
- Galvanized Legs and floor fixing plates
- Brushed stainless steel 304l front plate

> Security :

- Patented S® anti-blocking system to prevent water flowing continuously
- Anti-siphon effect device to prevent pollution of the water network from backflow

> Delivered with :

- Socket - extension brass supply pipe M F3/4" (20x27)
- Ø 32 mm PVC Supply pipe for the toilet bowl and junction nozzle M 55 mm
- PE 100 mm Straight extension outlet pipe with toilet
- 100 mm PVC Angle outlet pipe
- Screw and dowel for toilet bowl fixing

> Standards & approvals :

- Acoustic class II
- Brass body in accordance with EN 1982, EN 12164, EN 12165
- Molded chrome-plated body in accordance with EN 12540
- 200-hour neutral salt spray resistant (NSS) in accordance with ISO 9227

