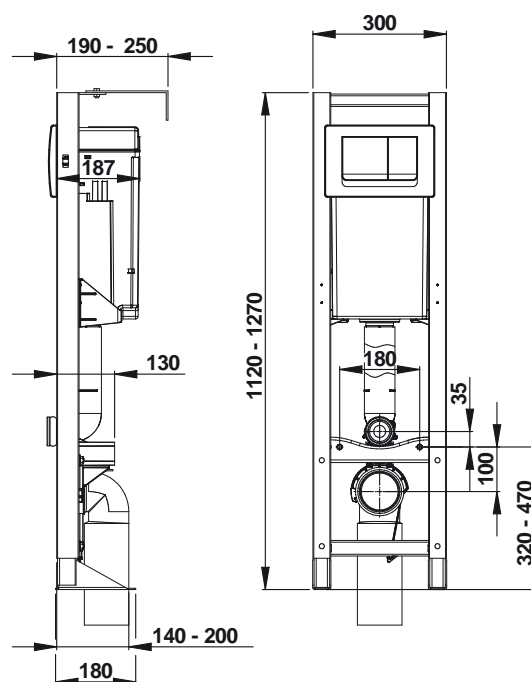


**Range:** SELF-SUPPORTING MOUNTING FRAME WITH CISTERN

**Ref:** 18594 - Self-supporting mounting frame with cistern and dual volume control



#### > Working pressure:

- 1 to 5 bar

#### > Flow:

- Dual volume control: 3/6 L

#### > Hydraulic supply:

- Stop valve M G 1/2" (15x21)

#### > Material and colour finish:

- 60 micron epoxy coated soldered steel mounting frame
- Galvanized legs and floor fixing plates
- Bright chrome plated ABS front plate

#### > Delivered with:

- Pleat and protective cover, can be cut to length
- Bowl supply pipe and seal for connection to the bowl
- Right PE evacuation extension 100mm with seal for connection to the bowl
- 100 mm PVC angle toilet outlet pipe
- Screw and dowel for toilet bowl fixing

#### > Standards & approvals:

- 200-hour neutral salt spray resistant (NSS) in accordance with ISO 9227
- Mounting frame compliant with NF XP D12208 for a load resistance of 400 kg
- NF / Class I filling valve
- NF emptying mechanism

