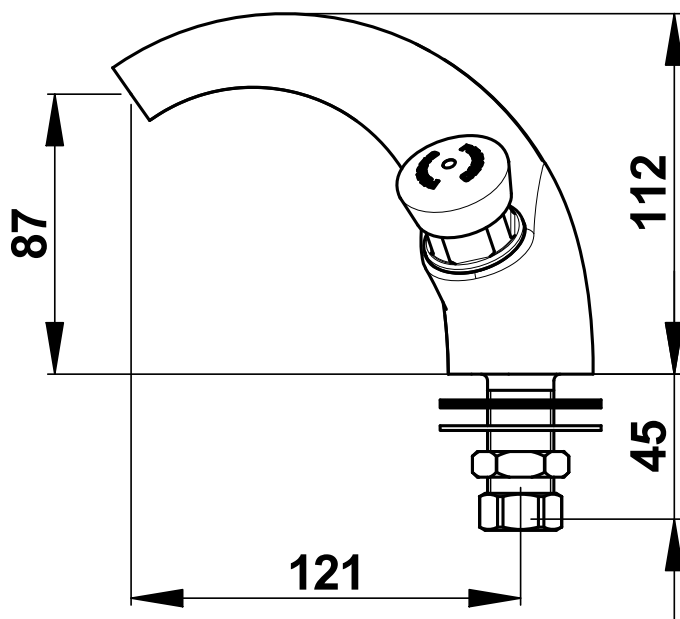


Range: Single deck-mounted tap

Ref: 24012 - PRESTO 600 S, anti-blocking "S" system - cold water



> Working pressure :

- 1 to 5 bar

> Flow :

- 3 l/min at 3 bar - 4-position flow adjustment device
- Anti-water-hammering design
- Vandalism proof and anti-clogging spout

> Flow time :

- 15 seconds (± 5 sec.)

> Hydraulic supply :

- M G 1/2" (15x21) - Premixed water

> Thermal resistance :

- Resistant to a temperature of 75°C for 30-minute-thermal-shocks

> Security :

- Non-turnable push button
- Non-removable, wear-proof blue marker
- Patented anti-blocking "S" system to avoid the water to flow continuously

> Delivered with :

- 1 Nut for 12x14 tube
- 1 Filter gasket
- 1 Stainless steel plain washer
- 1 Brass clamping nut
- 1 Nitrile plain washer
- Instruction manual

> Standards & approvals :

- Acoustic class II
- Brass body in accordance with EN 1982, EN 12164, EN 12165
- Molded chrome-plated body in accordance with EN 12540
- 200-hour neutral salt spray resistant (NSS) in accordance with ISO 9227

Ce document n'est pas contractuel ; nous nous réservons le droit de modifier les caractéristiques de nos produits sans préavis. Toutes nos marques et tous modèles sont déposés.

