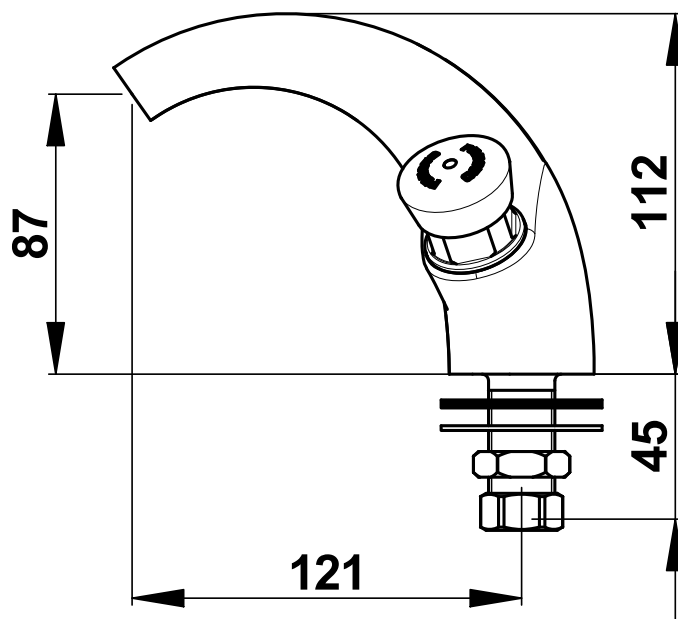


**Range:** Single deck-mounted tap

**Ref:** 24032 - PRESTO 600 S, anti-blocking "S" system - hot water



#### > Working pressure :

- 1 to 5 bar

#### > Flow :

- 3 l/min at 3 bar - 4-position flow adjustment device
- Anti-water-hammering design
- Vandalism proof and anti-clogging spout

#### > Flow time :

- 15 seconds (± 5 sec.)

#### > Hydraulic supply :

- M G 1/2" (15x21) - Premixed water

#### > Thermal resistance :

- Resistant to a temperature of 75°C for 30-minute-thermal-shocks

#### > Security :

- Non-turnable push button
- Non-removable, wear-proof red marker
- Patented anti-blocking "S" system to avoid the water to flow continuously

#### > Delivered with :

- 1 Nut for 12x14 tube
- 1 Filter gasket
- 1 Stainless steel plain washer
- 1 Brass clamping nut
- 1 Nitrile plain washer
- Instruction manual

#### > Standards & approvals :

- Acoustic class II
- Brass body in accordance with EN 1982, EN 12164, EN 12165
- Molded chrome-plated body in accordance with EN 12540
- 200-hour neutral salt spray resistant (NSS) in accordance with ISO 9227

