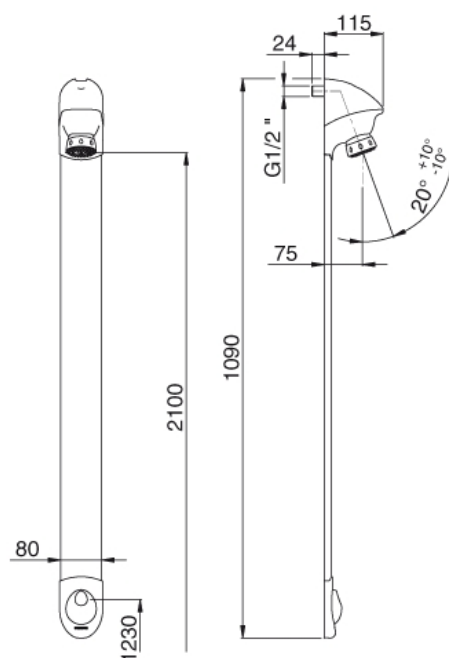


**Range :** Timed flow single tap for shower

**Ref :** 27402 - PRESTO DL 400 SE® single tap with angled stop valve



> **Working pressure :**

- 1 to 5 bar

> **Flow :**

- 6 l/min at 3 bar with integrated flow limiter
- Anti-water-hammering design
- Fixed shower head with anti-limescale spikes

> **Flow time :**

- 30 seconds (± 5 sec.)

> **Hydraulic supply :**

- G 1/2" Top water inlet with angled stop valve
- For cold or premixed water

> **Material and colour finish :**

- Metal body injected molded
- Profile extruded in aluminium-magnesium-silicon alloy 6060

> **Thermal resistance :**

- Resistant to a temperature of 75°C for 30 minute thermal shock

> **Security :**

- Patented anti-blocking "S" system to avoid the water to flow continuously

> **Delivered with :**

- VBA screws and nylon plugs
- MF G 1/2" angled stop valve and filters
- Instruction manual

> **Standards & approvals :**

- Acoustic class I
- Molded chrome-plated body in accordance with EN 12540
- 200-hour neutral salt spray resistant (NSS) in accordance with ISO 9227

This document is not contractual. We reserve the right to modify the characteristics of our products without notice in advance. All our brands and models are registered trade marks.

