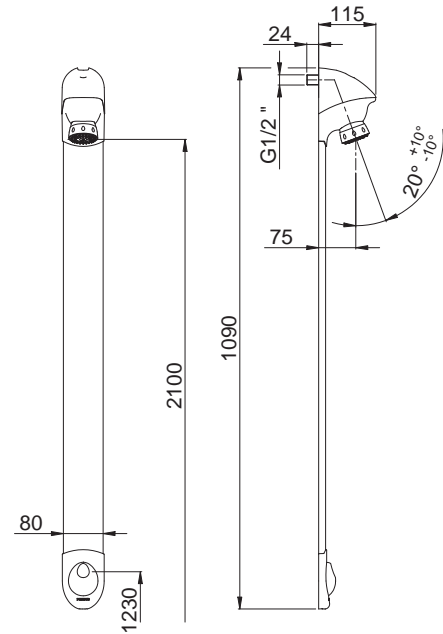


Range: Timed flow single tap for shower

Ref: 27426 - "Legionella version" PRESTO DL 400 SE® simple tap with angled stop valve



> Working pressure :

- 1 to 5 bar

> Flow :

- 6 l/min at 3 bar with integrated flow limiter
- Anti-water-hammering design
- Fixed shower head with anti-limescale spikes

> Flow time :

- 30 seconds (± 5 sec.)

> Hydraulic supply :

- G 1/2" Top water inlet with angled stop valve
- For cold or premixed water

> Material and colour finish :

- Injected molded metal body and cover
- Profile extruded in aluminium-magnesium-silicon alloy 6060

> Thermal resistance :

- Resistant to a temperature of 75°C for 30-minute-thermal-shocks

> Security :

- Patented anti-blocking "S" system to avoid the water to flow continuously
- "Legionella" version: pre-equipped for PRESTO solutions

> Delivered with :

- VBA screws and nylon plugs
- MF G 1/2" angled stop valve and filters
- Instruction manual

> Standards & approvals :

- Acoustic class I
- Molded chrome-plated body in accordance with EN 12540
- 200-hour neutral salt spray resistant (NSS) in accordance with ISO 9227

Ce document n'est pas contractuel ; nous nous réservons le droit de modifier les caractéristiques de nos produits sans préavis. Toutes nos marques et tous modèles sont déposés.

