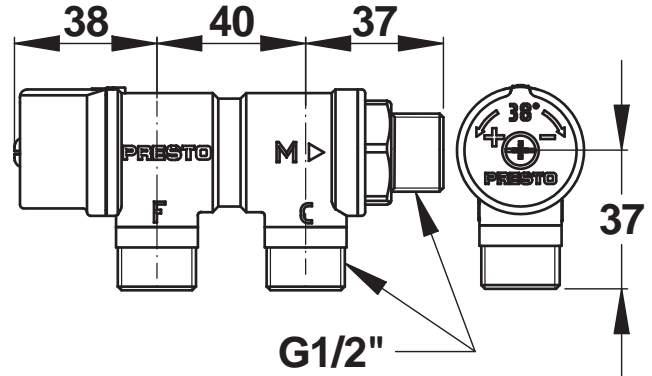


**Range:** Thermostatic mixing valve with internal temperature limiter

**Ref:** 29006 - Thermostatic mixing valve with parallel 1/2" inlets



#### > Flow:

- maximum: 43 l/min at 3 bars
- minimum: 4 l/min at 3 bars

#### > Temperature :

- Factory setting: 38°C
- Temperature, hot water inlet: 85°C max
- Minimum differential temperature: 15°C (Between hot water inlet and mixed outlet)
- Temperature control plan: 20 to 65°C at 3 bar
- Mixed Temperature Stability: +/- 2°C from 37 to 42°C for a flow range from 12 to 47L/mn

#### > Hydraulic supply :

- G 1/2" (15x21) Inlet & Outlet
- Red tag for hot water, and blue tag for cold water

#### > Thermal resistance :

- Designed to withstand thermal shocks at temperatures over 75°C during 30 min

#### > Security :

- Anti-scald system: flow is immediately stopped if the cold water is cut off
- Internal temperature blocker

#### > Delivered with :

- 2 Filter gaskets
- 2 NF check valves
- Instruction manual

#### > Standards & approvals :

- 200-hour neutral salt spray resistant (NSS) in accordance with ISO 9227
- Brass body in accordance with EN 1982, EN 12164, EN 12156

Ce document n'est pas contractuel ; nous nous réservons le droit de modifier les caractéristiques de nos produits sans préavis. Toutes nos marques et tous modèles sont déposés.

