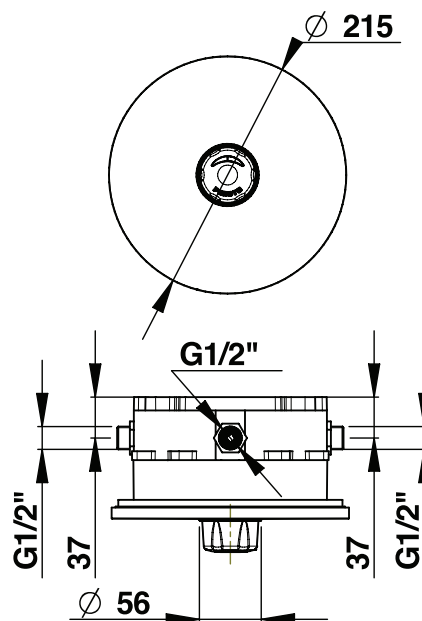


Range: Timed flow mixer tap for shower

Ref: 35192 - ALPA mixer tap in waterproof concealed box with anti blocking device S®



> Working pressure :

- 1 to 5 bar

> Flow :

- 8 l/min with integrated flow limiter
- Anti-water-hammering device
- Anti-blocking device

> Flow time :

- 30 seconds (- 10 / + 5 seconds)

> Hydraulic supply :

- M G 1/2" (15x21)
- On ALPA S® mixer valve with NF non-return valves

> Material and colour finish :

- Chrome-plated knob
- Chrome-plated round front plate

> Thermal resistance :

- Resistant to a temperature of 75°C for 30 minute in case of thermal shock

> Security :

- Adjustable temperature limiter
- Patented anti-blocking "S" system to avoid the water to flow continuously

> Delivered with :

- 1 waterproof concealed box
- 1 round front plate
- T connector for drain
- 2 filter gaskets
- 1 sealing flange
- Instruction manual

> Standards & approvals :

- Brass body in accordance with EN 1982, EN 12164, EN 12165
- Nickel-Chrome plated according to EN12540
- 200-hour neutral salt spray resistant (NSS) in accordance with ISO 9227

