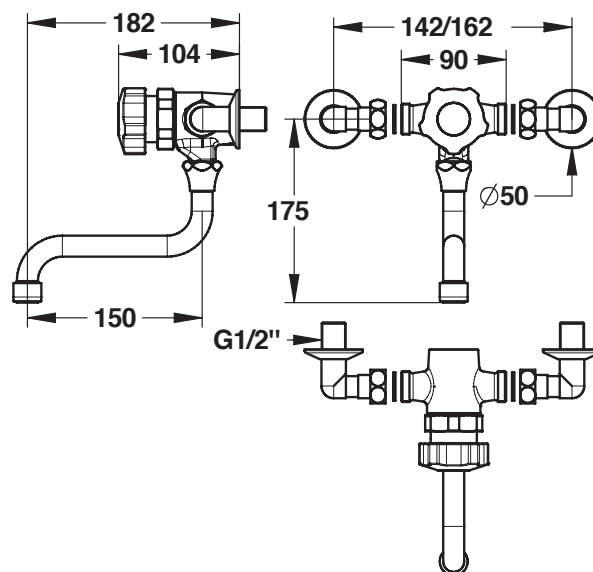


Range: PRESTO 3500

Ref: 35808 - Single control wall-mounted mixer tap - swivel spout



> Working pressure :

- 1 to 5 bar

> Flow :

- 5 l/min with integrated flow limiter
- Anti-water-hammering design
- Swivel spout and aerator

> Flow time :

- 15 seconds (± 5 sec.)

> Hydraulic supply :

- Angled connectors F 3/4" (20x27) x M 1/2" (15x21)
- NF Check valves

> Material and colour finish :

- Black push-button

> Thermal resistance :

- Resistant to a temperature of 75°C for 30-minute-thermal-shocks

> Security :

- Adjustable tamper-proof temperature limiter to prevent scalding

> Delivered with :

- 2 Filter gaskets
- 2 Angled connectors
- 2 Wall plates
- Instruction manual

> Standards & approvals :

- Brass body in accordance with EN 1982, EN 12164, EN 12156
- Molded chrome-plated body in accordance with EN 12540
- 200-hour neutral salt spray resistant (NSS) in accordance with ISO 9227

