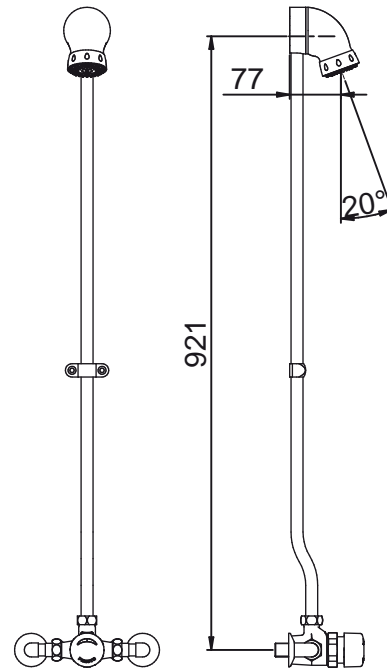


Range : Timed flow mixer tap for shower

Ref : 35812 - "Ready-To-Install" PRESTO ALPA mixer tap



> Working pressure :

- 1 to 5 bar

> Flow :

- 6 l/min with integrated flow limiter
- Anti-water-hammering design

> Flow time :

- 30 seconds (- 10 / + 5 seconds)

> Hydraulic supply :

- Angled connectors F 3/4" (20x27) x M 1/2" (15x21)
- On mixer tap ALPA NF/ IB with NF check valves

> Material and colour finish :

- Chrome-plated knob

> Thermal resistance :

- Resistant to a temperature of 75°C for 30-minute-thermal-shocks

> Security :

- Adjustable tamper-proof temperature limiter to prevent scalding

> Delivered with :

- 1 fixed shower head with directionnal grid and antiscaling spikes , tube and collar
- 2 Filter gaskets
- 2 Union nuts 3/4" (20x27)
- 2 angled connectors M 3/4" - F 1/2"

> Standards & approvals :

- Brass body in accordance with EN 1982, EN 12164, EN 12156
- Molded chrome-plated body in accordance with EN 12540
- 200-hour neutral salt spray resistant (NSS) in accordance with ISO 9227



This document is not contractual. We reserve the right to modify the characteristics of our products without notice in advance. All our brands and models are registered trade marks.